

Cable trunking

GF-DIN-PPDA

Cable trunking SES pre-slotted



GF-DIN-PPDA

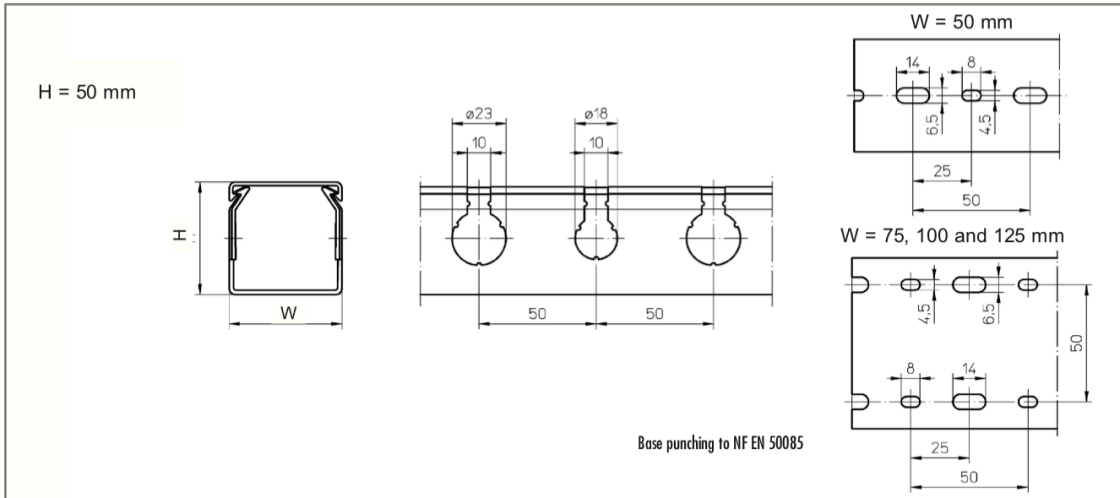
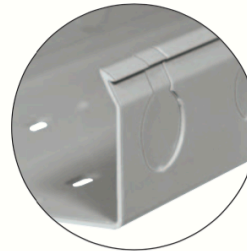


GF-DIN-PPDA

Material:	Rigid PVC quality 9051 LF
Colour:	grey RAL7030
Operating temperatures:	-5 to +65°C
Density:	1,56
Volume resistivity:	10 ¹⁸ Ω.cm
Dielectric strength:	15kV/mm
Specifications:	V0 UL94 CSTB:M2
Standard length:	2 meters
Double sided adhesive:	upon request
Minimum delivery:	1 complete packing (with lids)



type	art. no.	dimensions		m
		H mm	W mm	
GF-DIN-PPDA 50 x 50	0845 0713 013	48	48	24
GF-DIN-PPDA 50 x 75	0845 0714 013	48	73	24
GF-DIN-PPDA 50 x 100	0845 0715 013	48	98	12
GF-DIN-PPDA 50 x 125	0845 0716 013	48	123	12



Slots are intended for ICO conduits N. 13 and N. 16 according to standard NF C 68-133.

Can also be used:

- ELECTROFLEX cable glands page A7/2-01,
- PLIOLOCK cable glands page A7/5-01.



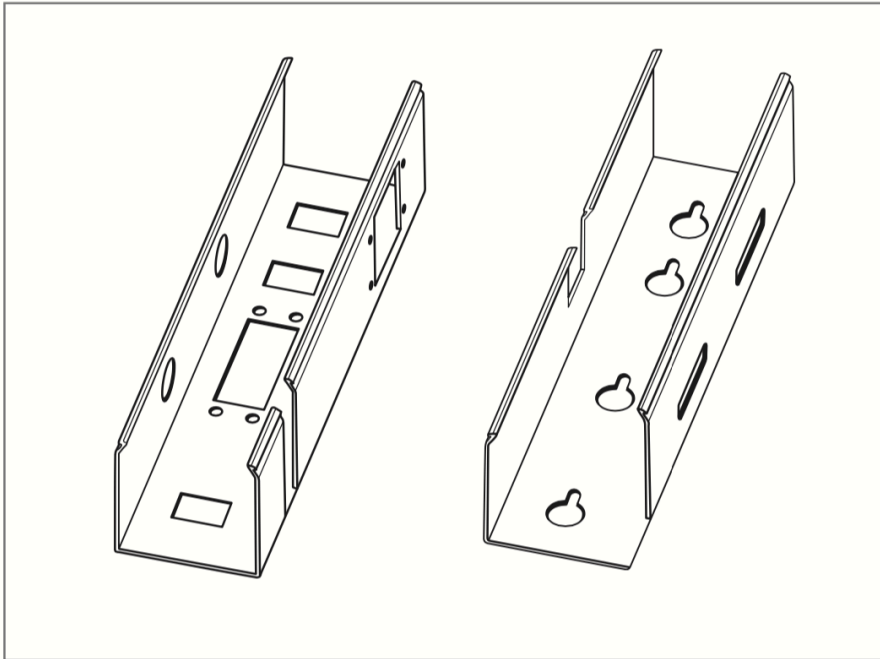
Cable trunking

GF-DIN-PPDA

Cable trunking SES with special slots



Semi-standard products - available only upon request



On request SES-STERLING can quote you for special cable trunking for example:

- cable trunking with special slots and base punching
- cable trunking in special lengths

Punching possible for all standard cable trunking. On request SES-STERLING will develop new cable trunking with special profiles.

Please **send us your inquiry** with illustrations as well as quantity, colour and material required.

Article number: 0845 0999 000