

# Cable trunking

GN-HF-A6/4

## Cable trunking SES with slots and base punching

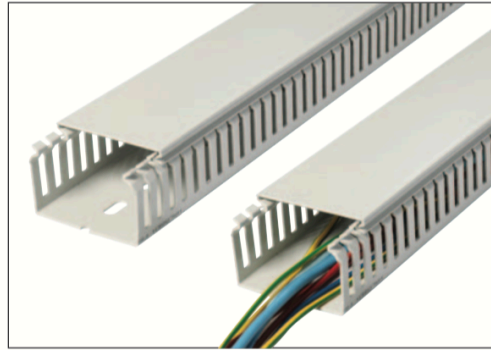


GN-HF-A6/4

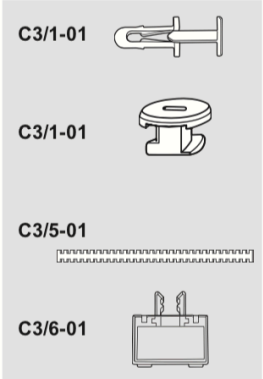
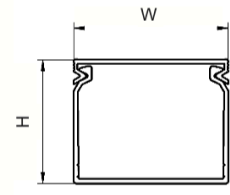


### GN-HF-A6/4

**Material:** PC/ABS, halogene free  
**Colour:** light grey RAL7035  
**Operating temperatures:** -25 to +90°C  
**Volume resistivity:** 10<sup>15</sup> Ω.cm  
**Dielectric strength:** 35kV/mm  
**Specification:** V0 UL94  
NF F 16-101/102  
DIN 5510-2  
EN 45545-2  
**Standard length:** 2 meters  
**Double sided adhesive:** upon request  
**Minimum delivery:** 1 complete packing (with lids)



type	trunking art. no.	m	outside dim.		cables per trunking (filling 50 %)			lids (alone) art. no.	m
			H mm	W mm	1 mm <sup>2</sup>	1,5 mm <sup>2</sup>	2,5 mm <sup>2</sup>		
GN-HF-A6/4 30 x 30	0850 0133 025	48	30	30	48	39	33	0850 0505 025	24
GN-HF-A6/4 40 x 25	0850 0141 025	48	40	25	52	43	36	0850 0500 025	48
GN-HF-A6/4 40 x 40	0850 0142 025	32	40	40	94	77	64	0850 0510 025	24
GN-HF-A6/4 40 x 60	0850 0143 025	24	40	60	149	122	102	0850 0520 025	24
GN-HF-A6/4 40 x 80	0850 0144 025	24	40	80	204	168	140	0850 0530 025	24
GN-HF-A6/4 60 x 25	0850 0151 025	48	60	25	80	66	55	0850 0500 025	48
GN-HF-A6/4 60 x 40	0850 0152 025	32	60	40	144	118	99	0850 0510 025	24
GN-HF-A6/4 60 x 60	0850 0153 025	24	60	60	229	188	157	0850 0520 025	24
GN-HF-A6/4 60 x 80	0850 0154 025	16	60	80	313	257	215	0850 0530 025	24
GN-HF-A6/4 80 x 25	0850 0161 025	24	80	25	107	88	74	0850 0500 025	48
GN-HF-A6/4 80 x 40	0850 0162 025	24	80	40	193	159	133	0850 0510 025	24
GN-HF-A6/4 80 x 60	0850 0163 025	24	80	60	308	253	211	0850 0520 025	24
GN-HF-A6/4 80 x 80	0850 0164 025	16	80	80	422	347	290	0850 0530 025	24
GN-HF-A6/4 80 x 100	0850 0165 025	12	80	100	537	441	369	0850 0540 025	12
GN-HF-A6/4 100 x 30	0850 0170 025	32	100	30	169	138	116	0850 0505 025	24
GN-HF-A6/4 100 x 60	0850 0172 025	16	100	60	384	316	264	0850 0520 025	24



# Cable trunking

GN-HF-A6/4

**Cable trunking SES**  
with slots and base punching

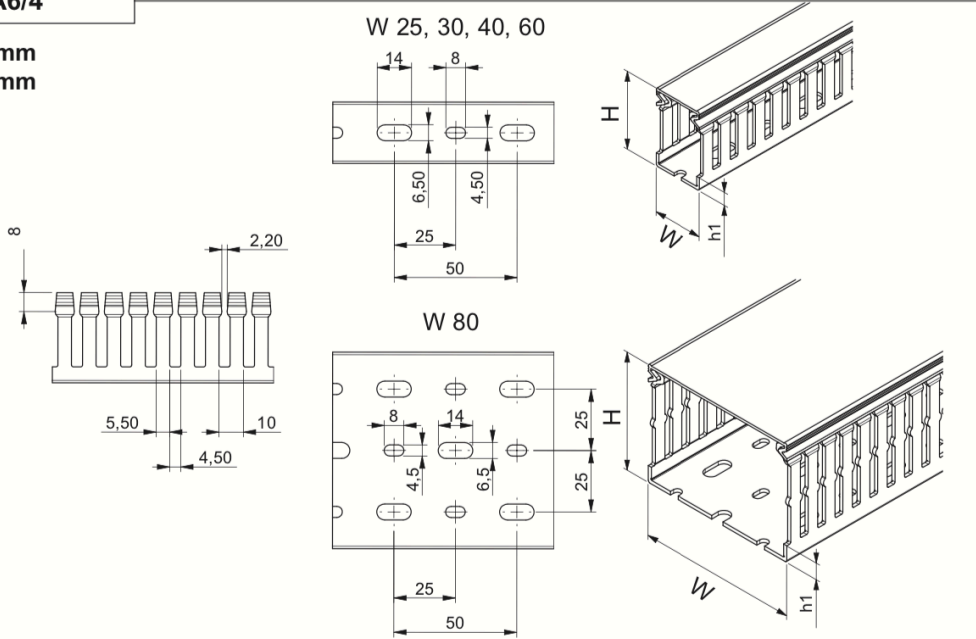


GN-HF-A6/4

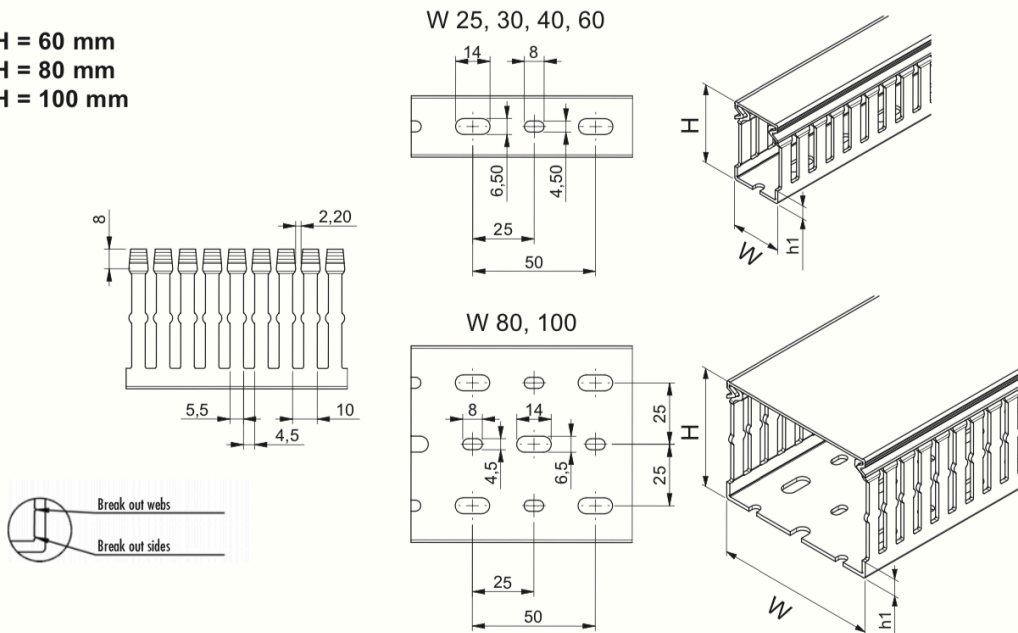


**GN-HF-A6/4**

H = 30 mm  
H = 40 mm



H = 60 mm  
H = 80 mm  
H = 100 mm



Base punching to NF EN 50085

H (mm)	30	40	60	80	100
h1 (mm)	4,3	6,5	8,3	10,3	15