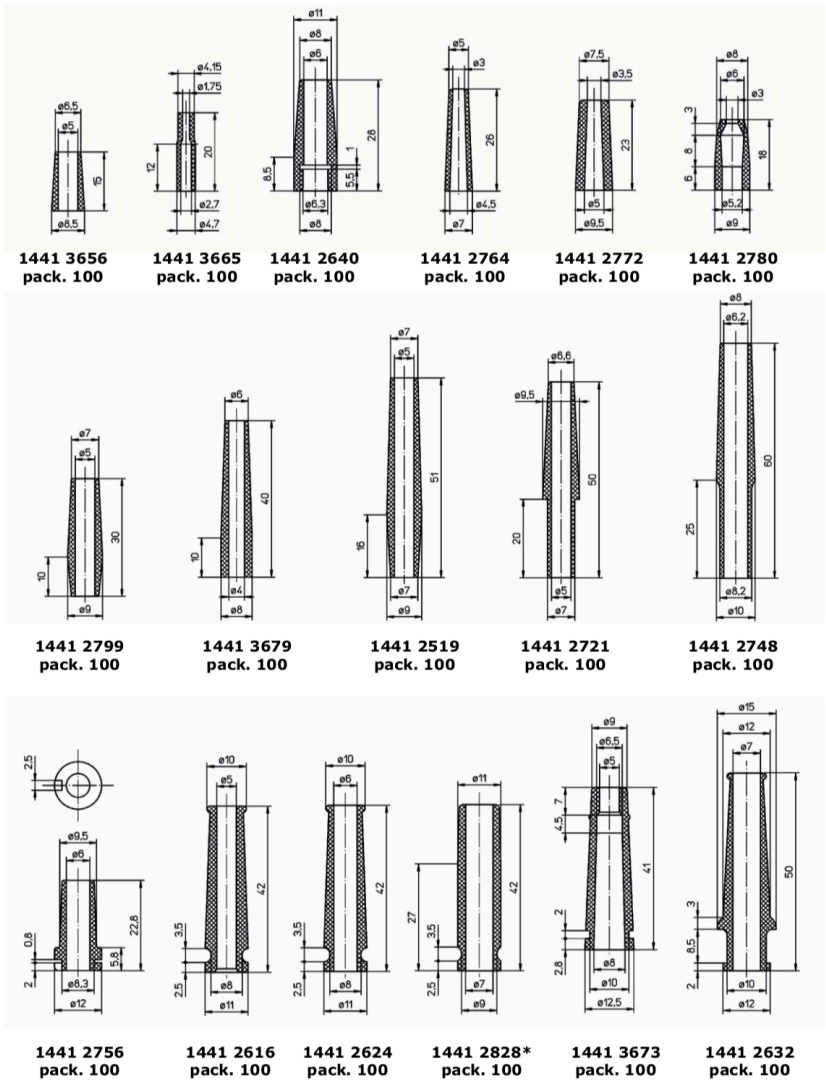


Rubber Strain Relief Grommets

Material	Polychloroprene rubber (Neoprene)
Operating temperature	-30 °C to +90 °C
Colour	Black
Dimensions	mm



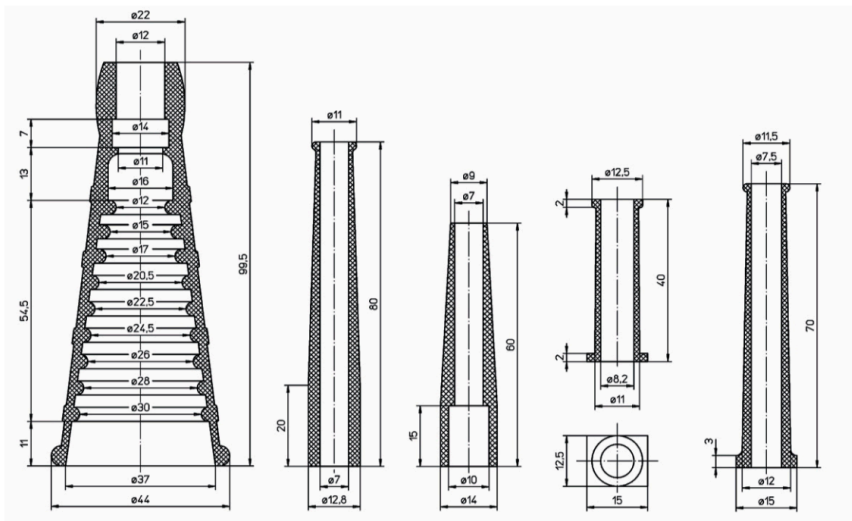
Rubber Strain Relief Grommets

Material **Polychloroprene rubber (Neoprene)**

Operating temperature **-30 °C to +90 °C**

Colour **Black**

Dimensions **mm**



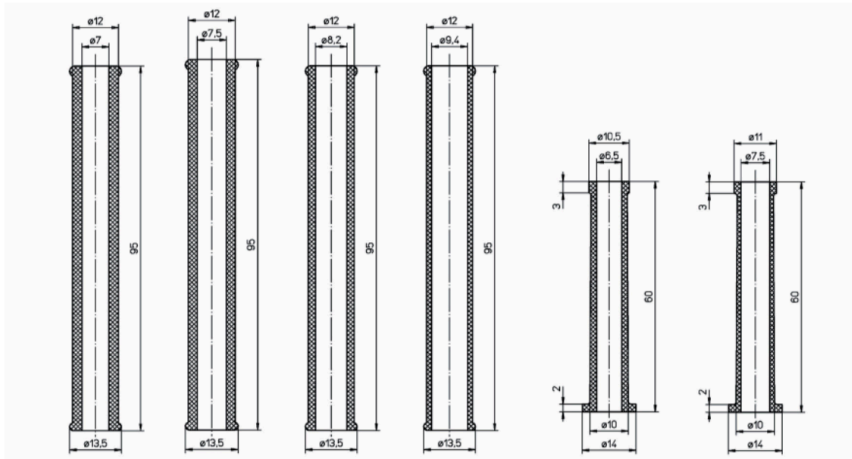
1441 3668*
pack. 25

1441 3661
pack. 50

1441 2527
pack. 100

1441 3675
pack. 100

1441 2810
pack. 50



1441 3662
pack. 100

1441 3663
pack. 100

1441 3664
pack. 100

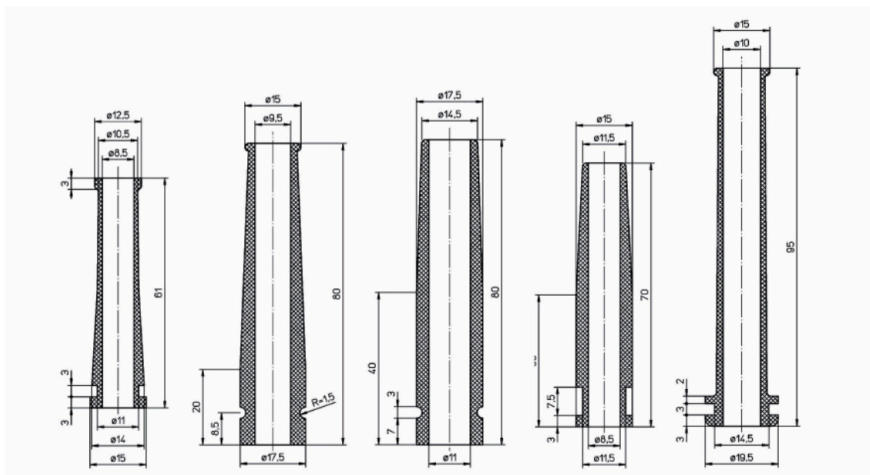
1441 2683
pack. 100

1441 3669
pack. 100

1441 2825
pack. 50

Rubber Strain Relief Grommets

Material	Polychloroprene rubber (Neoprene)
Operating temperature	-30 °C to +90 °C
Colour	Black
Dimensions	mm



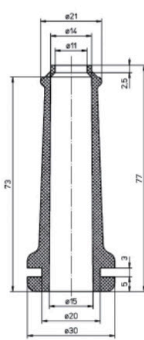
1441 2618
pack. 50

1441 2880
pack. 100

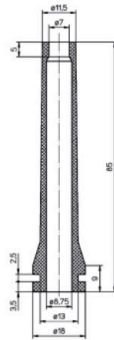
1441 3680*
pack. 50

1441 2826*
pack. 50

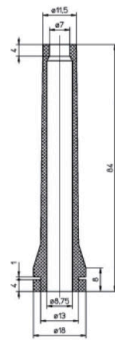
1441 2845
pack. 100



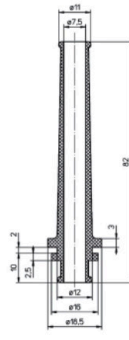
1441 3560
pack. 50



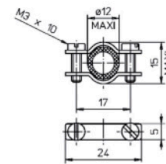
1441 2594
pack. 50



1441 3678
pack. 50



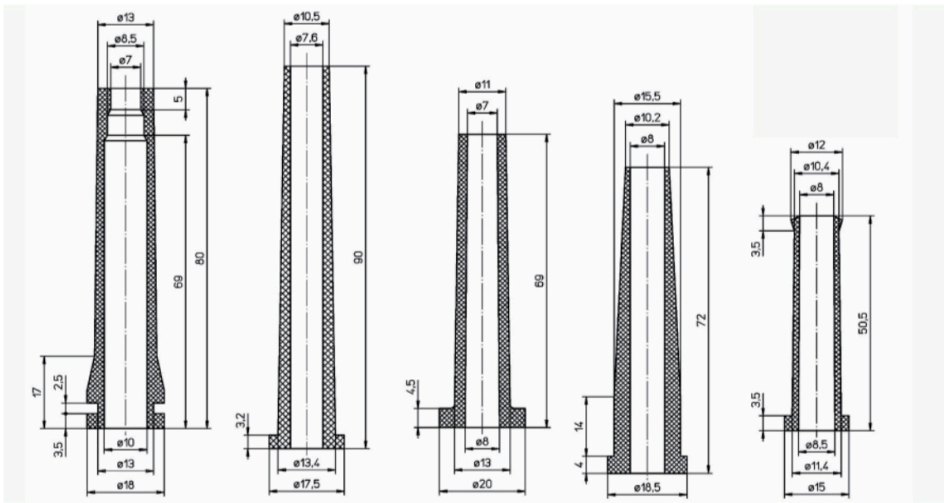
1441 2829
pack. 50



1441 2837
pack. 100

Rubber Strain Relief Grommets

Material	Polychloroprene rubber (Neoprene)
Operating temperature	-30 °C to +90 °C
Colour	Black
Dimensions	mm



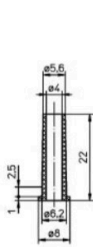
1441 3676
pack. 50

1441 3672*
pack. 50

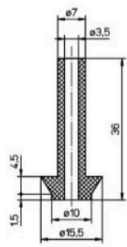
1441 3670
pack. 50

1441 2578
pack. 50

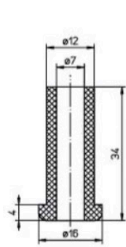
1441 2730
pack. 100



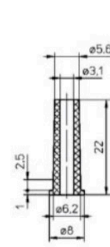
1441 3677
pack. 100



1441 3671
pack. 100



1441 3674
pack. 100



1441 3681
pack. 100

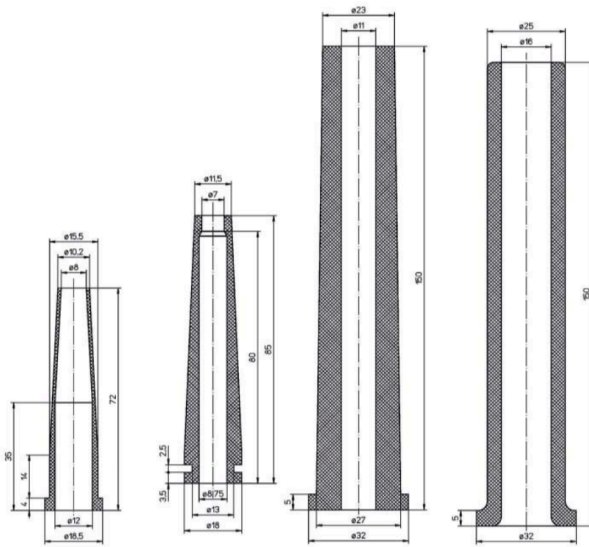
Rubber Strain Relief Grommets

Material **Polychloroprene rubber (Neoprene)**

Operating temperature **-30 °C to +90 °C**

Colour **Black**

Dimensions **mm**

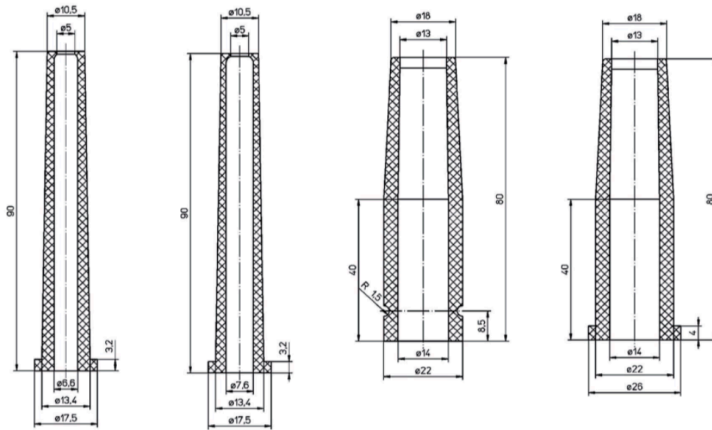


1441 2586
pack. 50

1441 2595
pack. 50

1441 3667
pack. 25

1441 2560
pack. 25



1441 3685
pack. 50

1441 3682
pack. 50

1441 3683
pack. 50

1441 3684
pack. 50