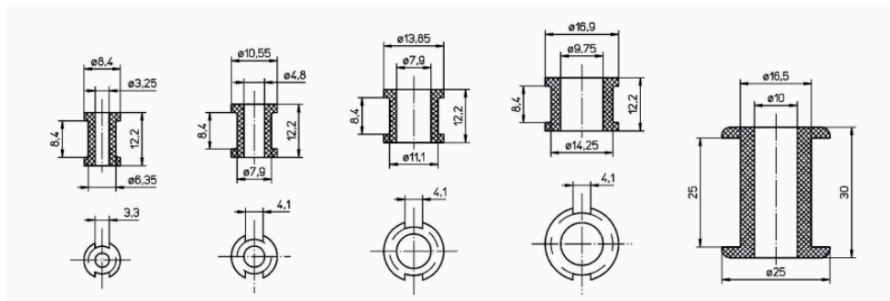


Rubber special gommets

Material	Polychloroprene rubber (Neoprene)
Operating temperature	-30 °C to +90 °C
Color	Black
Dimensions	mm



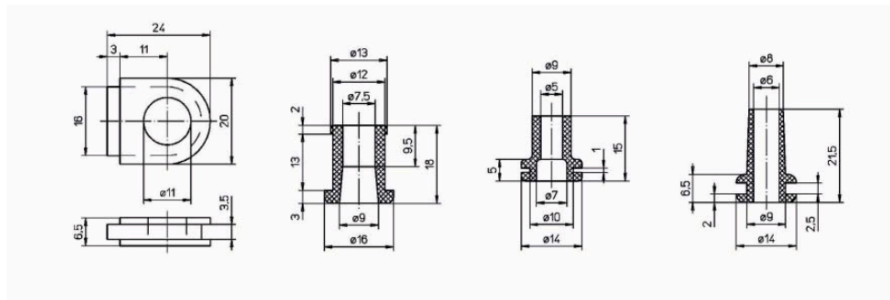
1441 2327
pack. 100

1441 2328
pack. 100

1441 2329
pack. 100

1441 2330
pack. 100

1441 2332
pack. 100

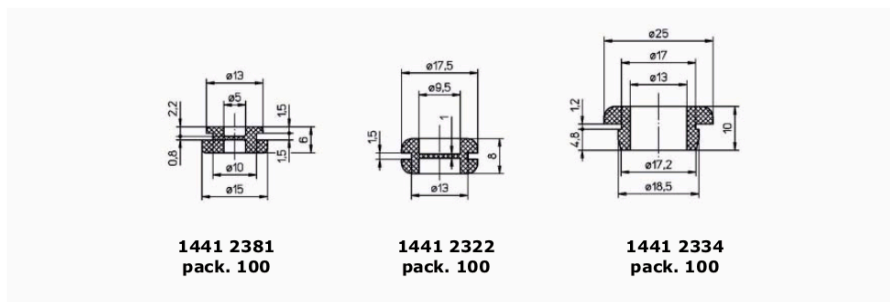


1441 2337
pack. 100

1441 2338
pack. 100

1441 2357
pack. 100

1441 2333
pack. 100

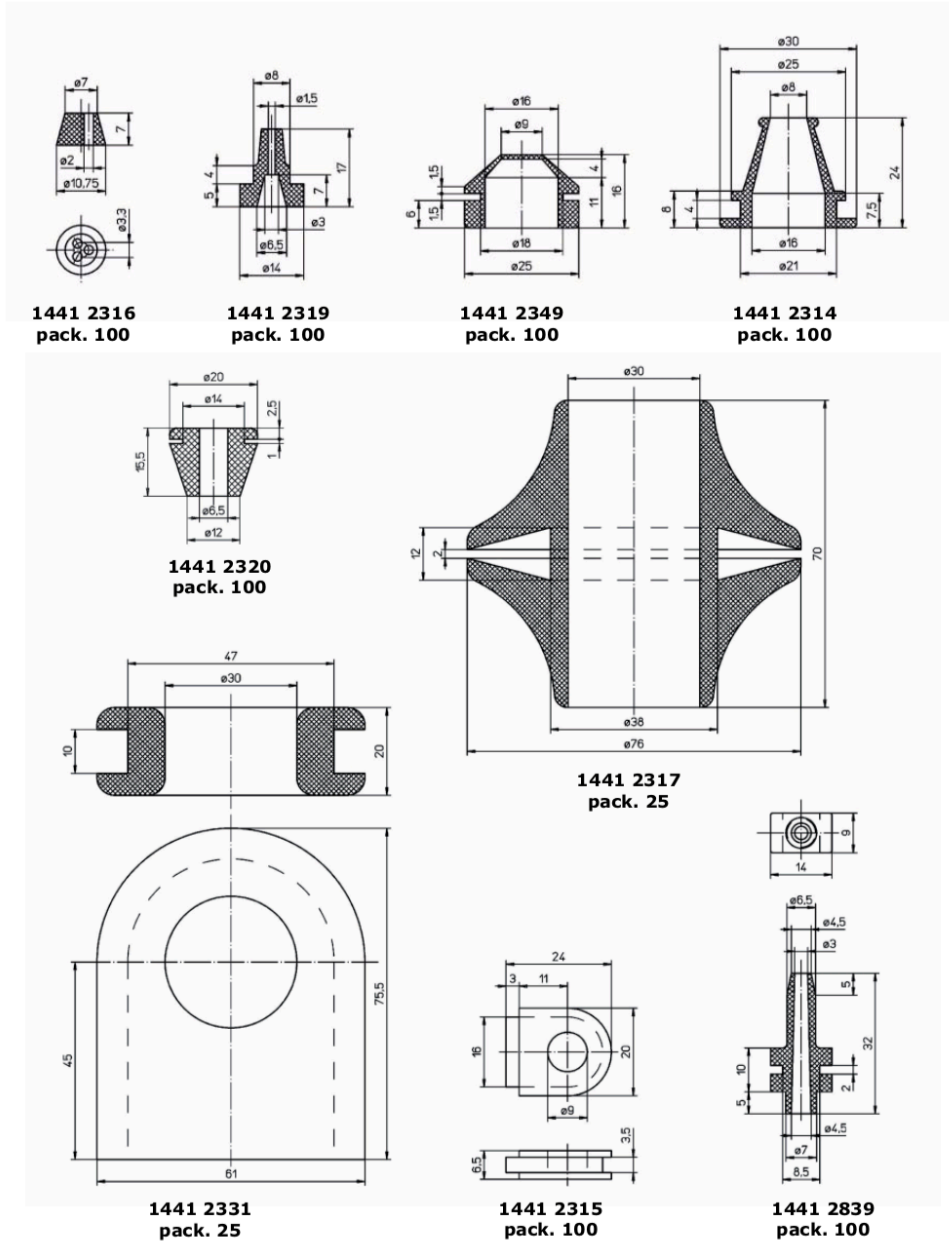


1441 2381
pack. 100

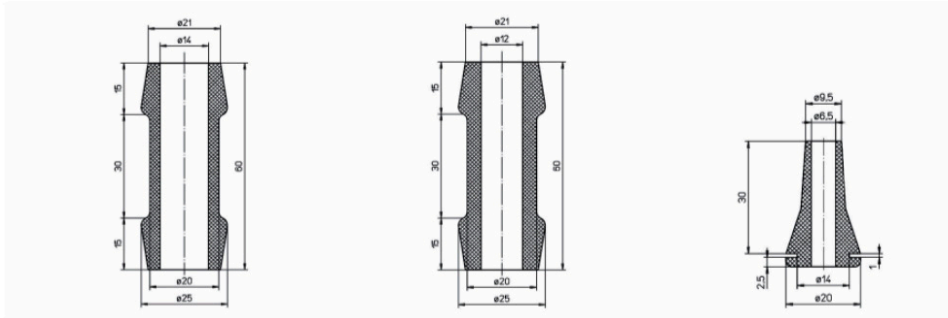
1441 2322
pack. 100

1441 2334
pack. 100

Rubber special gommets



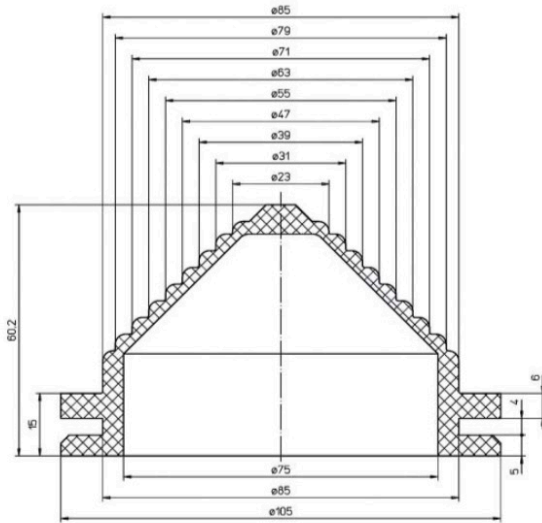
Rubber special gommets



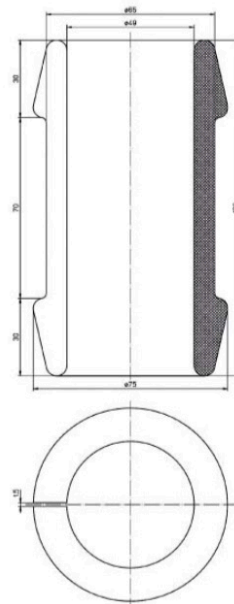
1441 2323
pack. 100

1441 2446
pack. 100

1441 2336
pack. 100



1441 2335
pack. 15



1441 2326
pack. 1
Nitrile rubber