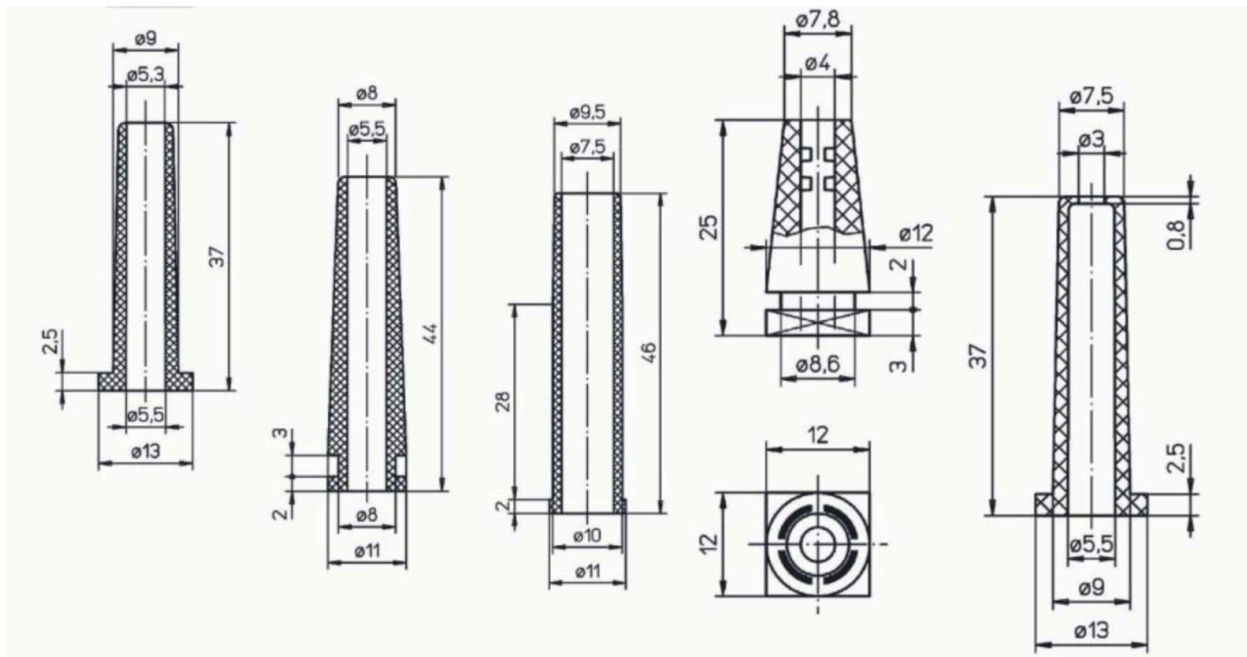


PVC strain relief grommets

Material	Flexible PVC 9542
Operating temperature	-30 °C to +70 °C
Color	Black
Dimensions	mm



1441 2950
package 100

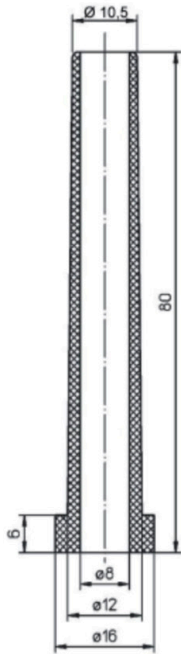
1441 2942
package 100

1441 2896
package 100

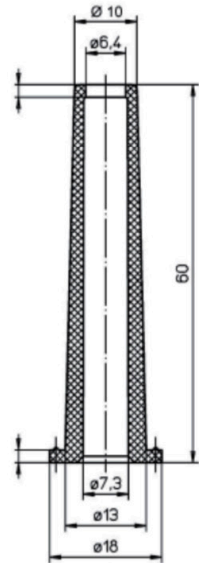
1441 2891
package 100

1441 2893
package 100

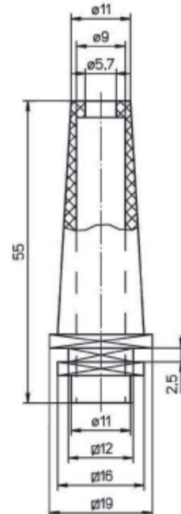
PVC strain relief grommets



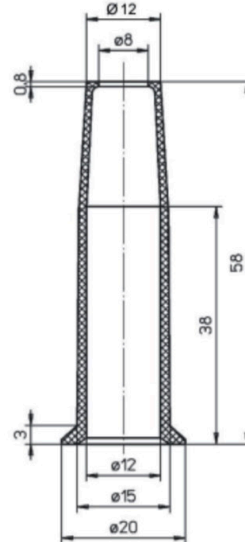
1441 2934
package 100



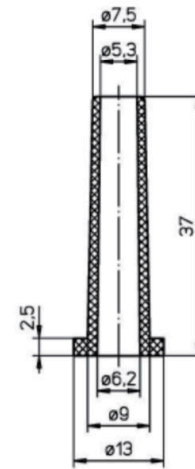
1441 2892
package 100



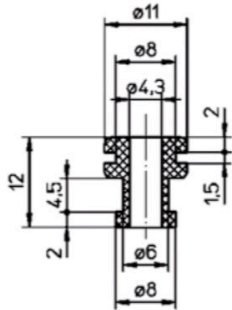
1441 2890
package 50



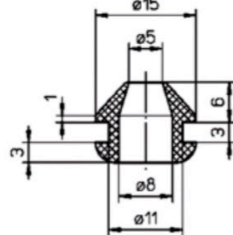
1441 2888
package 100



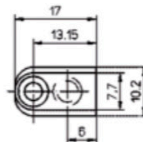
1441 2894
package 100



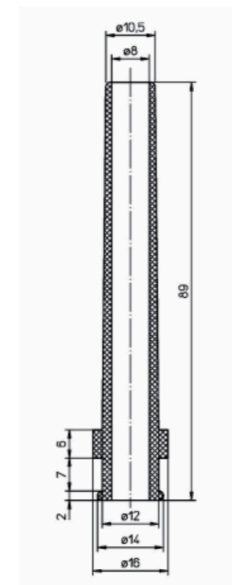
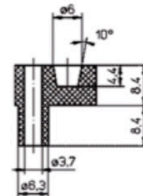
1441 2951
package 100



1441 2889
package 100

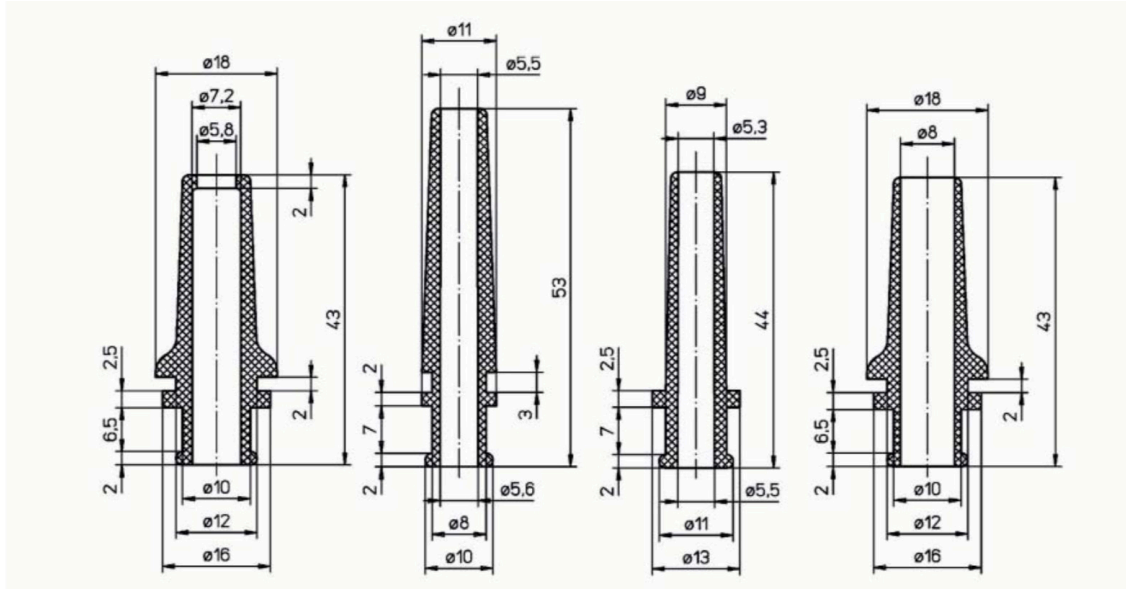


1441 2952
package 100



1441 2917
package 100

PVC strain relief grommets



1441 2870
package 100

1441 2918
package 100

1441 2926
package 100

1441 2927
package 100