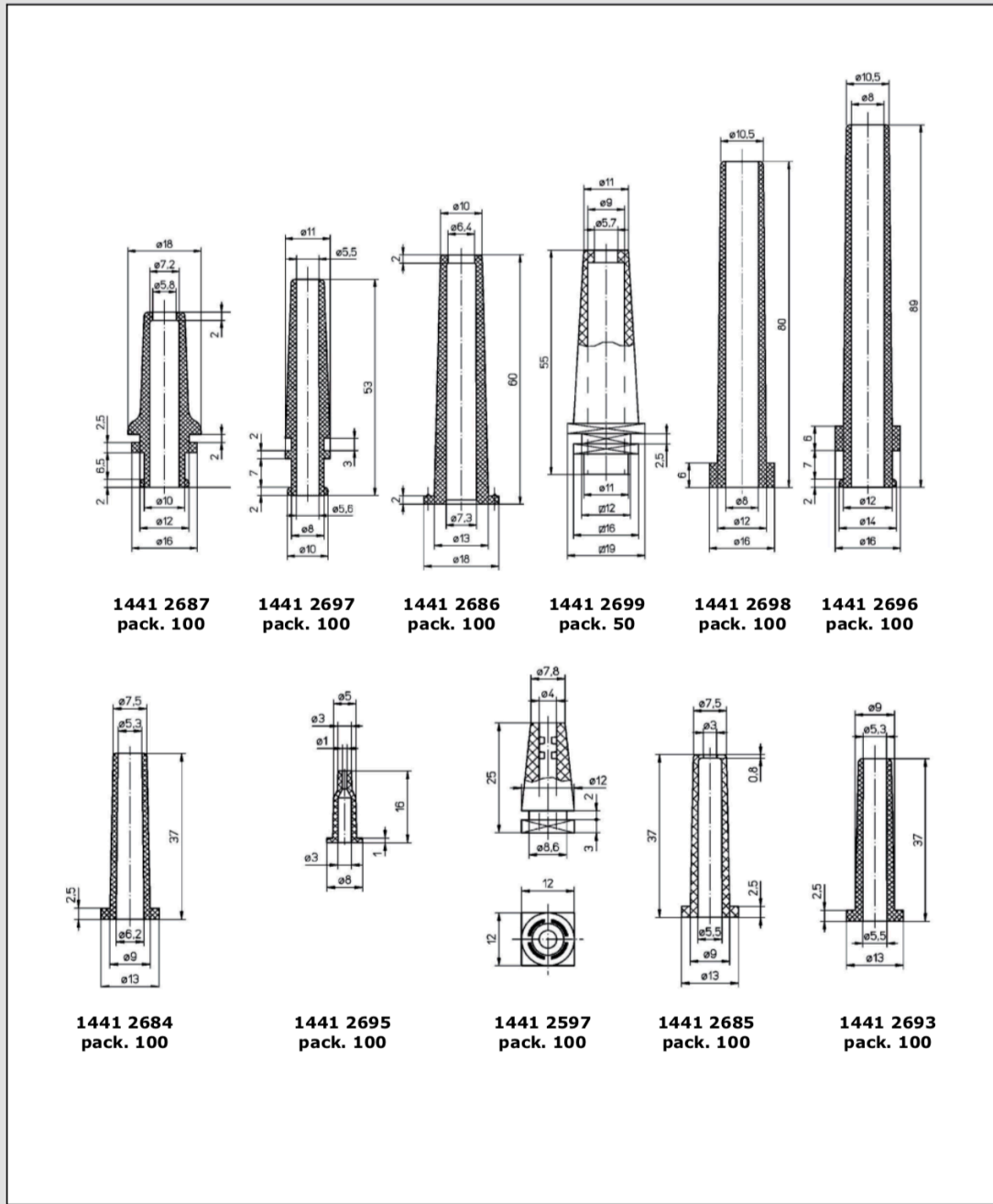


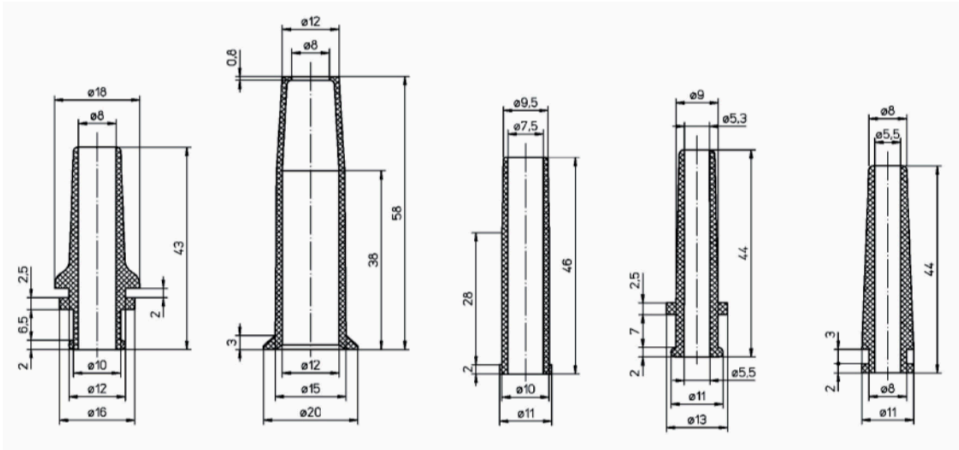
TPE Strain Relief Grommets

Technical data	
Material	Plioprene TPE
Operating temperature	-50 °C to + 125 °C
Colour	Black
Dimensions	mm



TPE Strain Relief Grommets

Technical data	
Material	Plioprene TPE
Operating temperature	-50 °C to + 125 °C
Colour	Black
Dimensions	mm



1441 2694
pack. 100

1441 2688
pack. 100

1441 2689
pack. 100

1441 2690
pack. 100

1441 2692
pack. 100