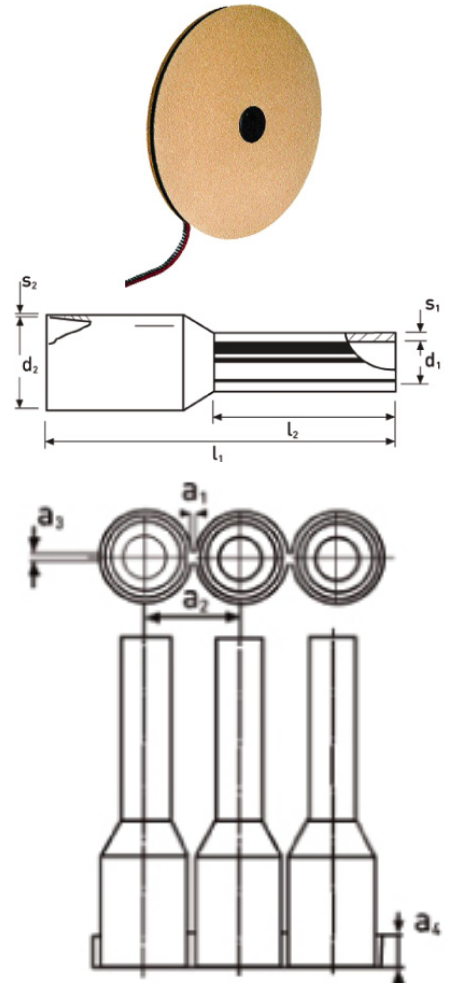


WIRE END CRIMP TERMINALS, POLYPROPYLENE INSULATION, REEL TYPE

Wire end crimp terminals, with polypropylene insulation, reel type

Terminal version	On reel
Terminal type	Wire end terminal
Approvals	CSA



Partnumber	Wire size	AWG	Colour	L1	L2
12530016	2.5 to 2.5	14	Grey	14	8
12530021	0.75 to 0.75	18	Grey	14	8
12530088	1.5 to 1.5	16	Red	14	8
12530026	1.5 to 1.5	16	Black	14	8
12530022	0.75 to 0.75	18	White	14	8
12530023	0.75 to 0.75	18	Light blue	14	8
12530028	2.5 to 2.5	14	Blue	14	8

Partnumber	Wire size	AWG	Colour	L1	L2
12530063	1 to 1	18	Yellow	14	8
12530019	0.5 to 0.5	20	Orange	15	8
12530018	0.5 to 0.5	20	White	15	8
12530024	1 to 1	18	Red	14	8

AVT Industrial Components BV, Givatec BVBA and AGCO BV are part of AVT Wiring & Connecting

AVT Industrial Components BV

+31 (0)40 20 88 088
sales@avtic.com
www.avtic.com

Givatec BVBA

+32 (0)16 400 500
sales@givatec.com
www.givatec.com

AGCO BV

+31 (0)40 208 80 044
sales@agco.nl
www.agco.nl

