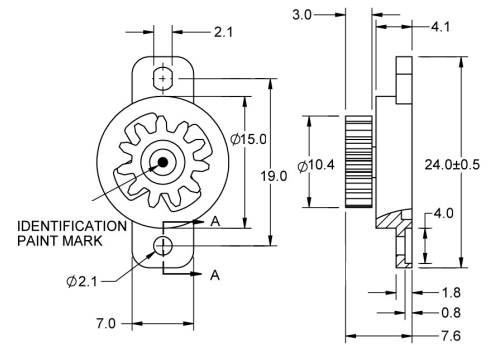
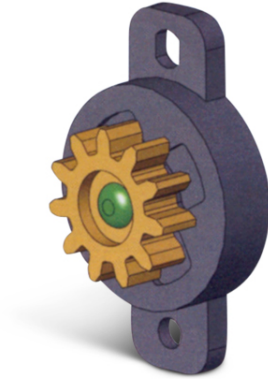


ROTARY DAMPER (09)

Rotary damper

Type	Rotary damper
Pitch circle diameter	8.8
No. of teeth	11
Pressure angle	20



Partnumber	Torque
27102251	130
27102248	40
27102249	60
27102247	25
27102250	80