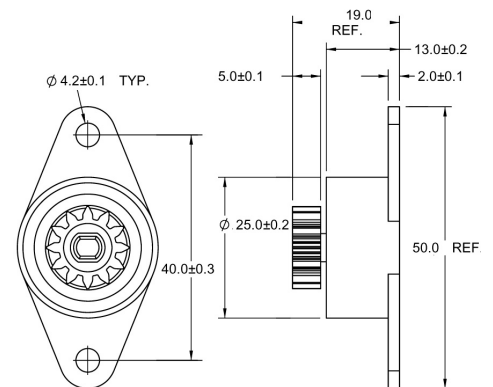
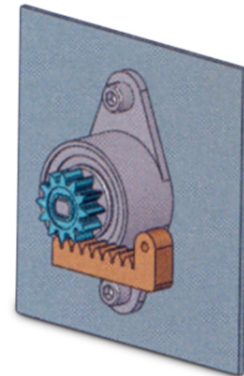


ROTARY DAMPER (10)

Rotary damper

| | |
|-----------------------|---------------|
| Type | Rotary damper |
| Pitch circle diameter | 12 |
| No. of teeth | 12 |
| Pressure angle | 20 |



| Partnumber | Torque |
|------------|--------|
| 27102252 | 1000 |
| 27102253 | 1500 |