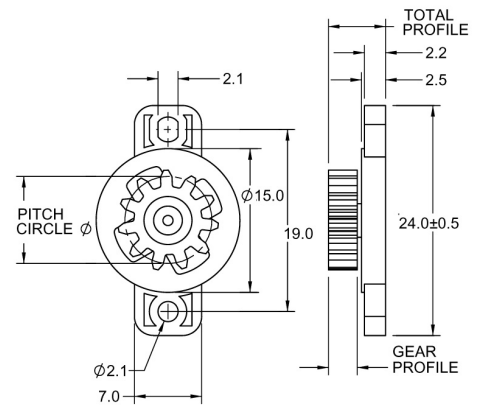
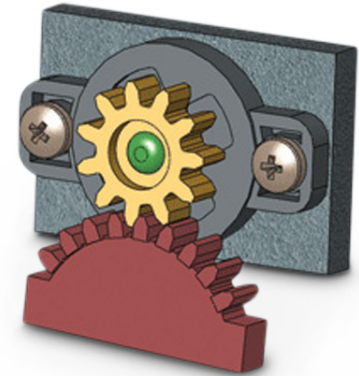


ROTARY DAMPER (08)

Rotary damper

Type Rotary damper

Pressure angle 20



Partnumber	Torque
27102242	20
27102243	30
27102246	100
27102244	45
27102245	60