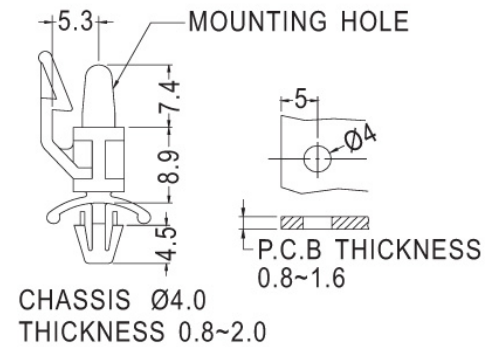


PCB EDGE SPACER (07)

PCB edge spacer

Material	Nylon
Flame class	UL-94-V2



Partnumber

28003714