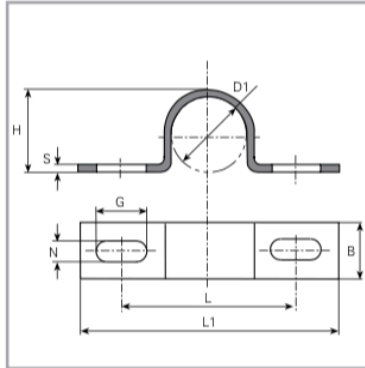


Steel Wire Clips



$\varnothing D 1$ mm	L mm	L1 mm	N mm	G mm	B mm	H mm	S mm	Part-No.
7	20	29.5	4.2	5.7	10	8	1	20510010
9.5	21	29.5	4.2	6	10	10.4	0.9	20510100
11	25	35	4.2	6	10	11.8	1.2	20510200
13	26	38	4.2	5.7	10	14	0.9	20510300