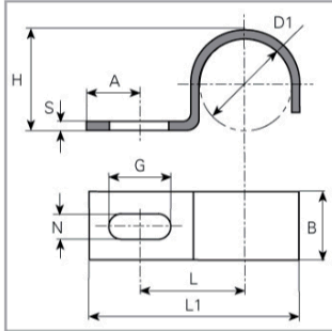


Steel Wire Clips



| $\varnothing D1$ mm | L mm | L1 mm | A mm | N mm | G mm | B mm | H mm | S mm | Part-No. |
|------------------------|---------|----------|---------|---------|---------|---------|---------|---------|-----------------|
| 4 | 6.5 | 14 | 4.5 | 3.6 | 4.8 | 8 | 5 | 0.8 | 20500099 |
| 4.5 | 7 | 14.5 | 4.5 | 3.6 | 4.8 | 8 | 4.8 | 0.8 | 20500000 |
| 5 | 7.5 | 14.7 | 4 | 3.6 | 4.8 | 8 | 5 | 0.8 | 20500299 |
| 6 | 7.2 | 15 | 3.8 | 3.6 | 4.8 | 8 | 6.4 | 0.8 | 20500399 |
| 7 | 8.5 | 16.5 | 3.8 | 3.6 | 4.5 | 8 | 6.8 | 0.8 | 20500499 |
| 8 | 9.2 | 18.2 | 3.8 | 3.6 | 4.8 | 8 | 8 | 0.8 | 20500599 |
| 9 | 11 | 23.7 | 6 | 4.2 | 5.7 | 9 | 8.8 | 1 | 20500699 |
| 11 | 12.3 | 24 | 4.7 | 4.5 | 6 | 9 | 10.8 | 1 | 20500799 |