

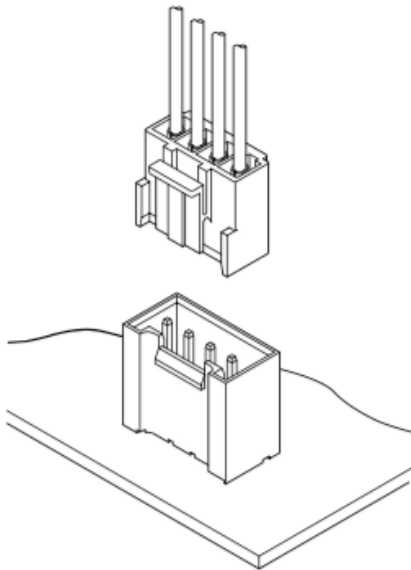
VH Connector (High Box Type)

3.96 mm pitch / Disconnectable Crimp style connectors



VH CONNECTOR (High box type)

3.96mm pitch / Disconnectable Crimp style connectors



This is VH connector high box type, with 21.3 mm mounting height (single circuit: 18.6 mm) and with 9.2 mm thickness (single circuit: 8 mm). This connector exhibits the stable electric connection to the condition such as the vibration, the prying, the micro-current and micro-voltage circuit.

- Header for use specifically with resin coated ("potted") PC board
- Interchangeability

Specifications

- Current rating: 7 A AC, DC (AWG #18)
10 A AC, DC (AWG #16)/1 circuit only
- Voltage rating: 250 V AC, DC
- Temperature range: -25°C to +85°C
(including temperature rise in applying electrical current)
- Contact resistance: Initial value/ 10 mΩ max.
After environmental tests/ 20 mΩ max.
- Insulation resistance: 1,000 MΩ min.
- Withstanding voltage: 1,500 VAC/minute
- Applicable wire: AWG #22 to #16
- Applicable PC board thickness: 1.6 mm

Note:

Do not branch in parallel current which exceeds the rated current. If branched in parallel, current imbalance or other problems may develop. If it is absolutely necessary to branch such a large current in parallel, be sure to use contacts made of phosphor bronze. Design the circuits without causing imbalance and provide an extra margin for each circuit.

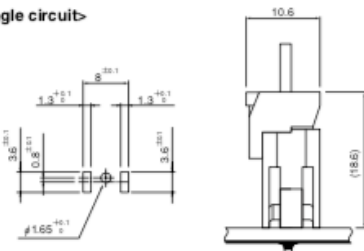
- * Refer to "General Instruction and Notice when using Terminals and Connectors" at the end of this catalog.
- * Contact JST for details.
- * Compliant with RoHS.

Standards

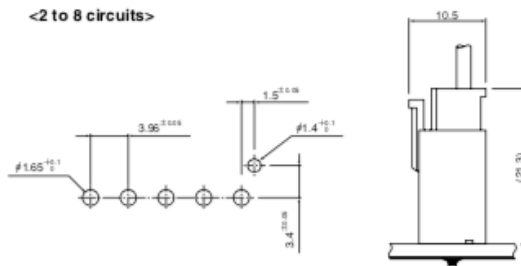
- Recognized E60389
- Certified LR20812
- R75122

PC board layout and Assembly layout

<Single circuit>



<2 to 8 circuits>

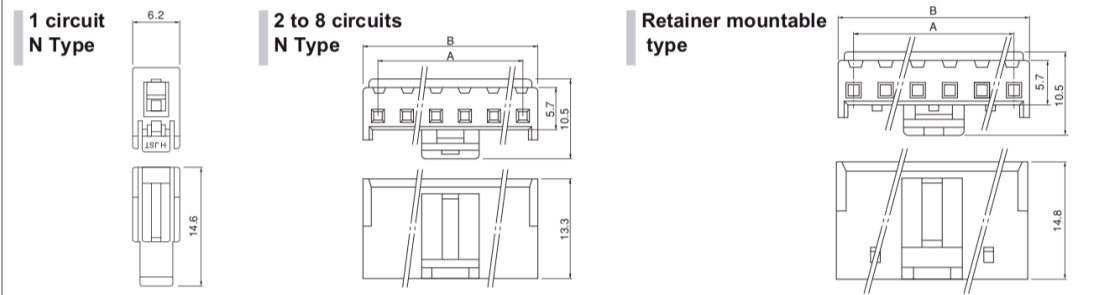


Note: 1. The above figure is the figure viewed from soldering side.
2. Tolerances are non-cumulative: ±0.05 mm for all centers.
3. Hole dimensions differ according to the type of PC board and piercing method. The dimensions above should serve as a guide line. Contact JST for details.

VH Connector (High Box Type)

3.96 mm pitch / Disconnectable Crimp style connectors

Housing

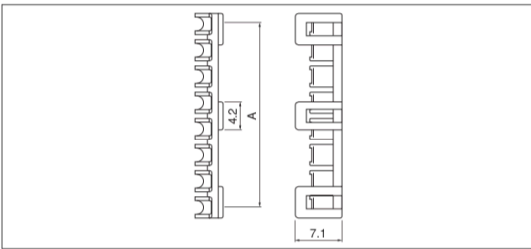


Circuits	Model No.		Dimensions (mm)		Q'ty / bag
	N type	Retainer mountable type	A	B	
1	*VHR-1N	—	—	—	1,000
2	VHR-2N	—	3.96	7.86	1,000
3	VHR-3N	*VHRR-3N	7.92	11.82	1,000
4	VHR-4N	—	11.88	15.78	1,000
5	VHR-5N	*VHRR-5N	15.84	19.74	1,000
6	VHR-6N	—	19.80	23.70	500
7	VHR-7N	*VHRR-7N	23.76	27.66	500
8	VHR-8N	*VHRR-8N	27.72	31.62	500

Material	
PA 6, UL94V-0, natural (white)	

RoHS compliance
Note: *Marked products are not TÜV approved.
<For reference> As the color identification, the following alphabet shall be put in the underlined part.
For availability, delivery and minimum order quantity, contact JST.
ex. **VHR-2N-oo**
(blank)...natural (white)
BK...black R...red BL...blue M...green

Retainer

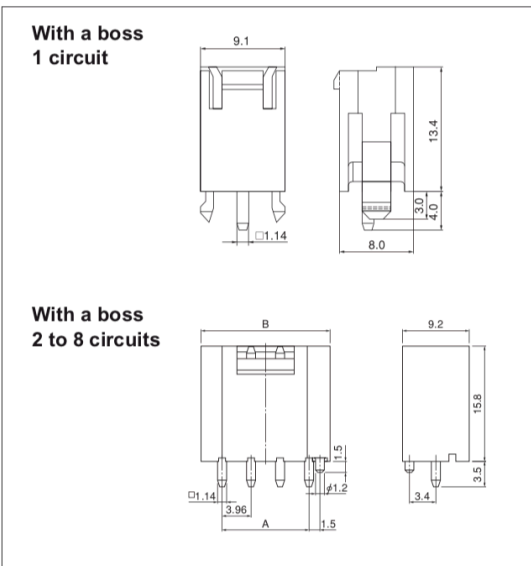


Circuits	Model No.	A	Q'ty / bag
2	VHS-2V	3.70	1,000
3	VHS-3V	7.52	1,000
5	VHS-5V	15.44	1,000
7	VHS-7V	23.36	1,000
8	VHS-8V	27.32	1,000
9	VHS-9V	31.28	1,000

Material	
Glass-filled PA 66, UL94V-0, natural (ivory)	

RoHS compliance
Note: Not TÜV approved.

Shrouded header



Circuits	Model No.	Q'ty / box
1	BH1P-VH-1	500

Material and Finish	
Post: Brass, copper-undercoated, tin-plated (reflow treatment) Wafer: PA 66, UL-94V-0, natural (white)	

RoHS compliance This product displays (LF)(SN) on a label.
Note: Not TÜV approved.

Circuits	Model No.	Dimensions (mm)		Q'ty / box
		A	B	
2	BH2P-VH-1	3.96	9.80	250
3	BH3P-VH-1	7.92	13.76	200
4	BH4P-VH-1	11.88	17.72	150
5	BH5P-VH-1	15.84	21.68	100
6	BH6P-VH-1	19.80	25.64	100
7	BH7P-VH-1	23.76	29.60	100
8	BH8P-VH-1	27.72	33.56	100

Material and Finish	
Post: Brass, copper-undercoated, tin-plated (reflow treatment) Wafer: Glass-filled PA 66, UL-94V-0, natural (ivory)	

RoHS compliance This product displays (LF)(SN) on a label.
<For reference> As the color identification, the following alphabet shall be put in the underlined part.
For availability, delivery and minimum order quantity, contact JST.
ex. **BH2P-VH-1-oo**
(blank)...natural (ivory) BK...black R...red BL...blue M...green