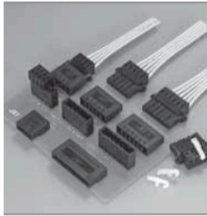


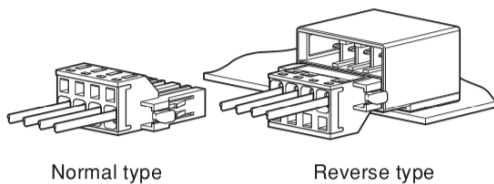
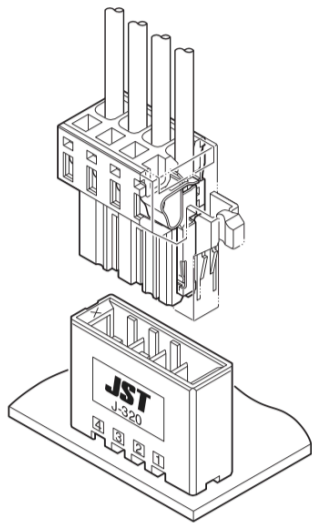
JFA Connector J-Fat Spring Type

5.08mm pitch/disconnectable spring terminal connectors (Terminal Block Type)



JFA CONNECTOR J-FAT SPRING TYPE

5.08mm pitch/Disconnectable Spring Terminal connectors(Terminal block type)



- No crimp tool is necessary.
- Mating with the JFA J320S/J320M

Specifications

- Current rating: Refer to the following matrix table.
- Voltage rating: 300V AC, DC
- Temperature range: -55°C to +105°C
(including temperature rise in applying electrical current)
- Applicable wire: AWG #18 to #14 (0.82 to 2.0mm²)

*Contact JST for details.

*RoHS compliant products are published.

Circuits	Wire size (AWG)			Unit: A
	#14	#16	#18	
3	12.0	11.25	10.0	
4	12.0	11.25	10.0	
5	11.25	10.5	9.5	
6	10.5	9.75	9.0	

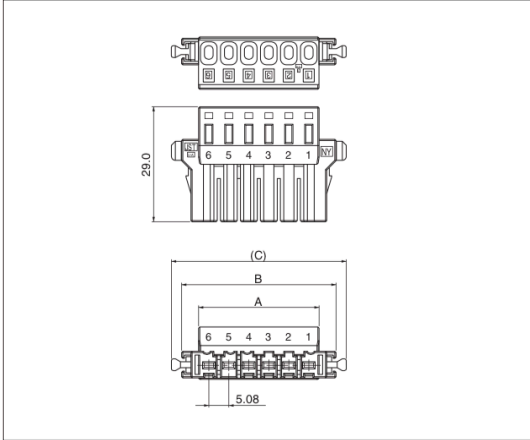
Standards

Recognized E239668 (J-FAT-S-i)

JFA Connector J-Fat Spring Type

5.08mm pitch/disconnectable spring terminal connectors (Terminal Block Type)

Receptacle assembly (Normal type)



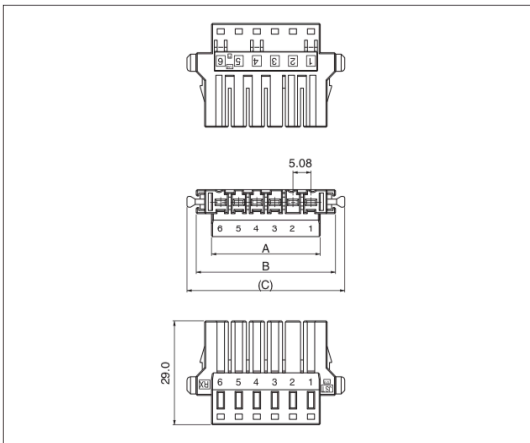
Circuits	Keying	Model No.	Dimensions (mm)			Q'ty /box
			A	B	(C)	
3	X	—	15.36	23.96	29.16	280
	Y	03JFAT-SAYGF- I				
4	X	—	20.44	29.04	34.24	245
	Y	04JFAT-SAYGF- I				
5	X	—	25.52	34.12	39.32	—
	Y	05JFAT-SAYGF- I				
6	X	—	30.60	39.20	44.40	175
	Y	06JFAT-SAYGF- I				

Material and Finish

Tab contact: Copper alloy, nickel-undercoated, selective gold-plated
Housing: Glass-filled PBT, UL94V-0, black
Cover: Glass-filled PBT, UL94V-0, black
Spring: Stainless

RoHS compliance

Receptacle assembly (Reverse type)



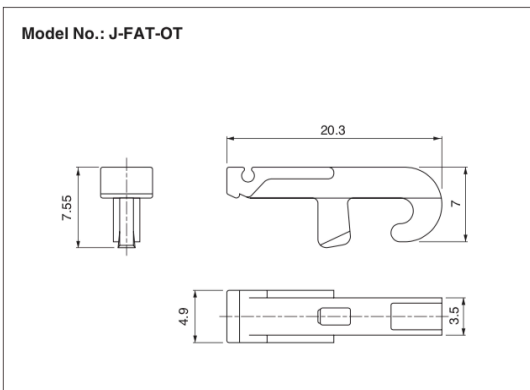
Circuits	Keying	Model No.	Dimensions (mm)			Q'ty /box
			A	B	(C)	
3	X	—	15.36	23.96	29.16	280
	Y	03JFAT-SBYGF- I				
4	X	—	20.44	29.04	34.24	245
	Y	04JFAT-SBXGF- I				
5	X	—	25.52	34.12	39.32	210
	Y	05JFAT-SBXGF- I				
6	X	—	30.60	39.20	44.40	175
	Y	06JFAT-SBXGF- I				

Material and Finish

Tab contact: Copper alloy, nickel-undercoated, selective gold-plated
Housing: Glass-filled PBT, UL94V-0, black
Cover: Glass-filled PBT, UL94V-0, white
Spring: Stainless

RoHS compliance

Open tool




RoHS compliance


JFA Connector J-Fat Spring Type

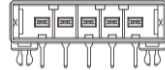




5.08mm pitch / disconnectable spring terminal connectors (Terminal Block Type)

List of combinations

J-FAT-S-i is used with the following combinations.

J-FAT-S-i Normal type	
X Keying	Planning
Y Keying	

J-FAT-S-i Reverse type	
X Keying	 (3P Planning)
Y Keying	Planning (3P Exist)

	J320S X Keying
	J320S Y Keying
 (8P Planning)	J320M X-X Keying
	J320M X-Y Keying
 (8P Planning)	J320M Y-Y Keying

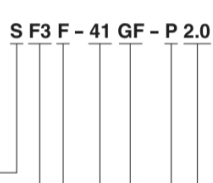
JFA Connector J-Fat Spring Type

5.08mm pitch/disconnectable spring terminal connectors (Terminal Block Type)

Model number identification

Receptacle contact

S F3 F - 41 GF - P 2.0



Form: S...Strip form, B...Loose piece
L...Loose piece with curled barrels

Series name

Kind of terminal: F...Receptacle contact

Applicable wire: 002...AWG #28 ~ #24, 01...AWG #24 ~ #20
41...AWG #20 ~ #16, 71...AWG #16 ~ #14

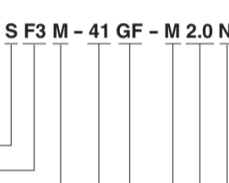
Surface finish: GF...Nickel-undercoated, 0.38µm selective gold-plated
GI...Nickel-undercoated, 0.76µm selective gold-plated
T...Tin-plated (Reflow treatment)

Material: P...Copper alloy

Terminal size

Tab contact

S F3 M - 41 GF - M 2.0 N



Form: S...Strip form, B...Loose piece
L...Loose piece with curled barrels

Series name

Kind of terminal: M...Tab contact

Applicable wire: 01...AWG #24 ~ #20, 41...AWG #20 ~ #16
71...AWG #16 ~ #14

Surface finish: GF...Nickel-undercoated, 0.38µm selective gold-plated
GI...Nickel-undercoated, 0.76µm selective gold-plated
T...Tin-plated (Reflow treatment)

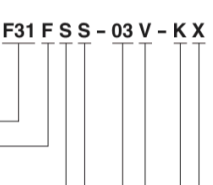
Material: M...Copper alloy

Terminal size

Sequential identification

Receptacle housing

F31 F S S - 03 V - K X



Series name

Type of connector: F...Receptacle housing

Rows: S...Single-row
D...Double-row with 5.08mm line pitch
M...Double-row with 7.62mm line pitch
F...Quadruple-row with 5.08mm line pitch

Configuration: S...Side locking, C...Center locking

No. of circuits: 1 ~ 6, 8, 10, 12, 16, 20

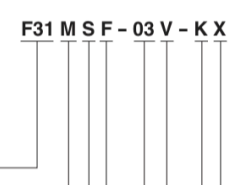
Flammability: V...UL94V-0

Color indication: K...Black, S...White, E...Blue

Keying: X...X-Keyping, Y...Y-Keyping, XX...XX-Keyping, YY...YY-Keyping
YY...YY-Keyping, XY...XY-Keyping, Blank...Without Keyping No.

Tab housing

F31 M S F - 03 V - K X



Series name

Kind of terminal: M...Tab housing

Rows: S...Single-row, D...Double-row with 5.08mm line pitch
M...Double-row with 7.62mm line pitch

Configuration: F...Free hanging, P...Panel mounting

No. of circuits: 1 ~ 6, 8, 10, 12, 16, 20

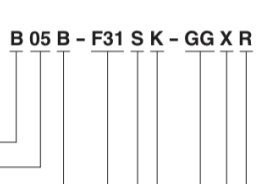
Flammability: V...UL94V-0

Color indication: K...Black, S...White, E...Blue

Keying: X...X-Keyping, Y...Y-Keyping, XX...XX-Keyping
YY...YY-Keyping, XY...XY-Keyping, Blank...Without Keyping No.

Header

B 05 B - F31 S K - GG X R



PC board mounting direction:
B...Top entry type
S...Side entry type
BC...Top & center locking
SC...Side & center locking

No. of circuits: 2 ~ 6, 8, 10, 12, 16, 20

Product name: Header

Series name

Rows: S...Single-row
D...Double-row with 5.08mm line pitch
M...Double-row with 7.62mm line pitch
T...Triple-row with 7.62mm line pitch
F...Quadruple-row with 5.08mm line pitch

Color indication: K...Black, S...White, E...Blue

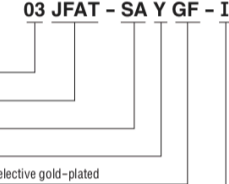
Surface finish: GG...Nickel-undercoated, 0.38µm selective gold-plated
GK...Nickel-undercoated, 0.76µm selective gold-plated
T...Tin-plated (Reflow treatment)

Keying: X...X-Keyping, Y...Y-Keyping, XX...XX-Keyping, YY...YY-Keyping,
XY...XY-Keyping, XA...XX-Keyping, XB...XXY-Keyping,
XC...XYX-Keyping, XD...YYX-Keyping, Blank...Without Keyping No.

Packaging form: R...Tray, M...Magazine stick

Receptacle assembly

03 JFAT - SA Y GF - I



No. of circuits: 3 ~ 6

Series name

Mating type: SA...Normal type, SB...Reverse type

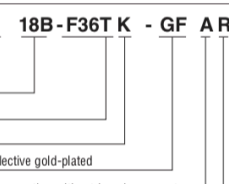
Keying: X...X-Keyping, Y...Y-Keyping

Surface finish: GF...Nickel-undercoated, 0.38µm selective gold-plated

Shape: I...I type

Tab housing assembly

P 18B - F36T K - GF A R



PC board mounting direction: Panel mounting type

No. of circuits - Assembly: 9, 12, 18, 24

Series name: F36T...J360T, F35D...J350DC

Color indication: K...Black

Surface finish: GF...Nickel-undercoated, 0.38µm selective gold-plated

Configuration: A...Direct mounting type, AF...Direct mounting without housing cover type,
Blank...Panel mounting type

Packaging form: R...Tray