

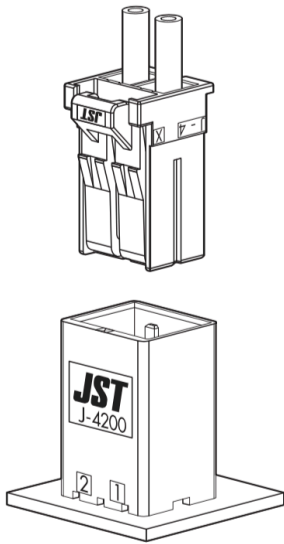
JFA Connector J4000 Series

6.0mm pitch / disconnectable crimp style connectors



JFA CONNECTOR J4000 SERIES

6.0mm pitch / Disconnectable Crimp style connectors



Compact and high current capacity connector.
This connector realizes high-density mounting on PC board.

- High current capacity
- Center locking
- Housing lance
- Countermeasure for insertion of foreign substances

Specifications

- Current rating: 20A AC, DC (3 circuits/AWG #12)
- Voltage rating: 600V AC, DC
- Temperature range: -55°C to +105°C (including temperature rise in applying electrical current)
- Applicable wire: AWG #16 to #12 (1.25 to 3.5mm²)

*Contact JST for details.

*RoHS compliant products are published.

Circuits	Wire size (AWG)			Unit: A
	#12	#14	#16	
2	—	18.0	14.0	
3	20.0	17.0	13.5	
6	—	16.0	12.5	

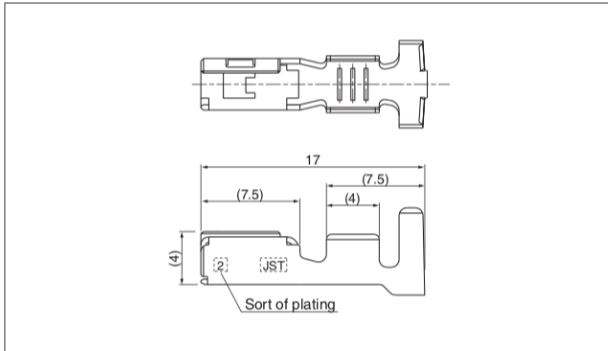
Standards

Recognized E60389

JFA Connector J4000 Series

6.0mm pitch / disconnectable crimp style connectors

Receptacle contact



Strip contact Model No.	Applicable wire			Insulation O.D. (mm)	Q'ty / reel
	Nominal	mm ²	AWG#		
SJ4F-71GF-M3.0	M	1.25 ~ 2.0	16 ~ 14	2.0 ~ 3.8	1,400
SJ4F-81GF-M3.0	L	2.0 ~ 3.5	14 ~ 12	2.9 ~ 4.2	—

Material and Finish

Copper alloy (superior conductivity), nickel-undercoated, selective gold-plated

RoHS compliance

Note: Finish(GF): Nickel-undercoated, 0.38 μm selective gold-plated

Crimping machine, Applicator

Strip contact Model No.	Crimping machine	Crimp applicator	Dies	Crimp applicator with dies
SJ4F-71GF-M3.0	AP-K2N	MKS-L-SIN3	MK/SJ4F71-30	APLMK SJ4F71-30
SJ4F-81GF-M3.0			MK/SJ4F81-30	APLMK SJ4F81-30

Loose piece	Hand crimp tools
BJ4F-71GF-M3.0	YRF1130
BJ4F-81GF-M3.0	YRF1370

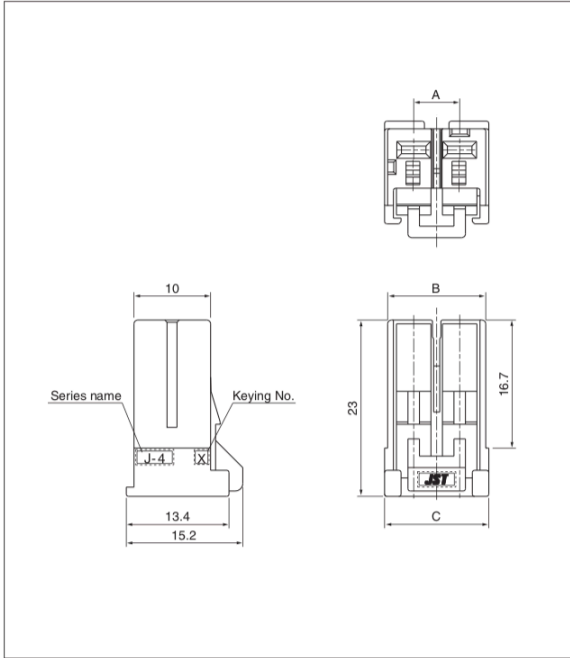
Extraction tool for J4000 series : EJ-JFAJ4

Note: Contact JST for fully automatic crimping applicator.

JFA Connector J4000 Series

6.0mm pitch / disconnectable crimp style connectors

Receptacle housing



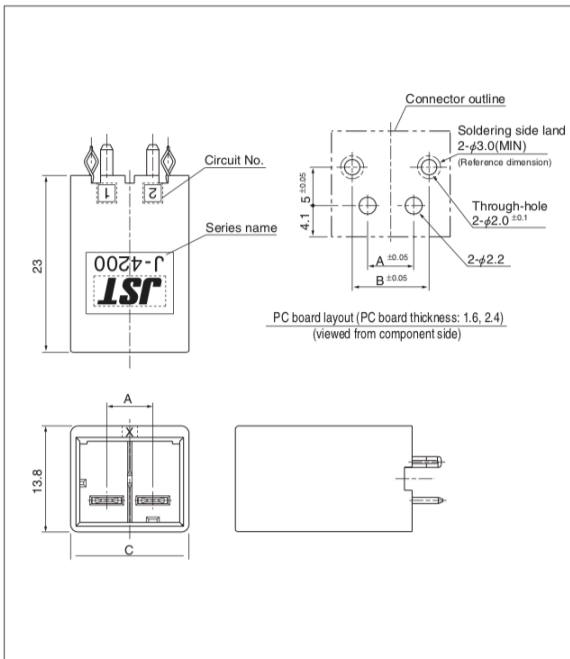
Circuits	Keying	Model No.	Dimensions (mm)			Qty / bag
			A	B	C	
2	X	J42FSC-02V-KX	6.0	12.8	13.6	200
	Y	J42FSC-02V-KY	6.0	12.8	13.6	200
3	X	J42FSC-03V-KX	12.0	18.8	19.6	—
	Y	J42FSC-03V-KY	12.0	18.8	19.6	—
6	X	J42FSC-06V-KX	30.0	36.8	37.6	—
	Y	J42FSC-06V-KY	30.0	36.8	37.6	—

Material

Glass-filled PBT, UL94V-0, black

RoHS compliance

Header (Top entry type)



Circuits	Keying	Model No.	Dimensions (mm)			Qty / box
			A	B	C	
2	X	BC02B-J42SK-GHXR	6.0	10.0	15.4	168
	Y	BC02B-J42SK-GHYR	6.0	10.0	15.4	168
3	X	BC03B-J42SK-GHXR	12.0	16.0	21.4	—
	Y	BC03B-J42SK-GHYR	12.0	16.0	21.4	—
6	X	BC06B-J42SK-GHXR	30.0	34.0	39.4	—
	Y	BC06B-J42SK-GHYR	30.0	34.0	39.4	—

Material and Finish

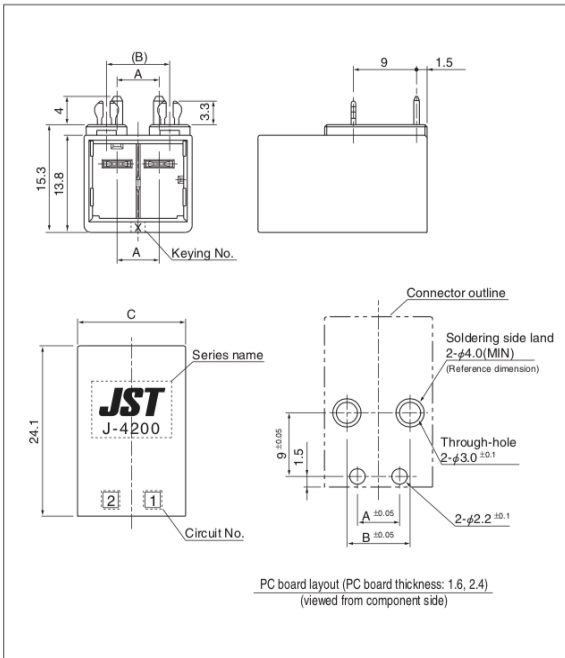
Tab contact: Copper alloy, nickel-undercoated, selective gold-plated
Housing: Glass-filled PBT, UL94V-0, black
Reinforcing metal fixture: Copper alloy, nickel-undercoated, selective gold-plated

RoHS compliance

JFA Connector J4000 Series

6.0mm pitch / disconnectable crimp style connectors

Header (Side entry type)



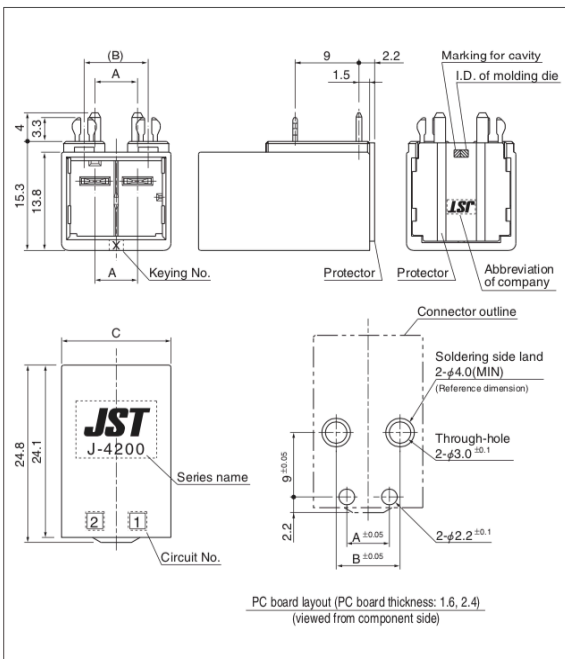
Circuits	Keying	Model No.	Dimensions (mm)			Qty / box
			A	B	C	
2	X	SC02B-J42SK-GHXR	6.0	9.0	15.4	—
	Y	SC02B-J42SK-GHYR	6.0	9.0	15.4	—

Material and Finish

Tab contact: Copper alloy, nickel-undercoated, selective gold-plated
Housing: Glass-filled PBT, UL94V-0, black
Reinforcing metal fixture: Copper alloy, nickel-undercoated, gold-plated

RoHS compliance

Header (Side entry type with protector)



Circuits	Keying	Model No.	Dimensions (mm)			Qty / box
			A	B	C	
2	X	SC02B-J42SK-GHXPR	6.0	9.0	15.4	120

Material and Finish

Tab contact: Copper alloy, nickel-undercoated, selective gold-plated
Housing: Glass-filled PBT, UL94V-0, black
Reinforcing metal fixture: Copper alloy, nickel-undercoated, gold-plated
Protector: Glass-filled PBT, UL94V-0, black

RoHS compliance

(Patent pending)
When applying a current to the connector, the protector prevents foreign substances being inserted into mating part from the back of the connector.

JFA Connector J4000 Series

6.0mm pitch / disconnectable crimp style connectors

Model number identification

Receptacle contact

S J4 F - 71 GF - M 3.0 B

Form: S...Strip form, B...Loose piece
L...Loose piece with curled barrels

Series name

Kind of terminal: F...Receptacle contact

Applicable wire: 71...AWG #16 ~ #14
81...AWG #14 ~ #12

Surface finish: GF...Nickel-undercoated, 0.38 µm selective gold-plated

Material: M...Copper alloy

Terminal size

Plating type: B...Selective spot gold-plated, Blank...Selective stripe gold-plated

Receptacle housing

J42 F S C - 02 V - K X

Series name

Type of connector: F...Receptacle housing

Rows: S...Single-row

Configuration: C...Center locking

No. of circuits: 2, 3, 6

Flammability: V...UL94V-0

Color indication: K...Black

Keying: X...X-Keying, Y...Y-Keying

Header

SC 02 B -J42 S K - GH X PR

Form: BC...Top & center locking
SC...Side & center locking

No. of circuits: 2, 3, 6

Product name: Header

Series name

Rows: S...Single-row

Color indication: K...Black

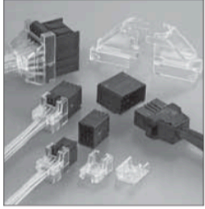
Surface finish: GH...Nickel-undercoated, selective gold-plated

Keying: X...X-Keying, Y...Y-Keying

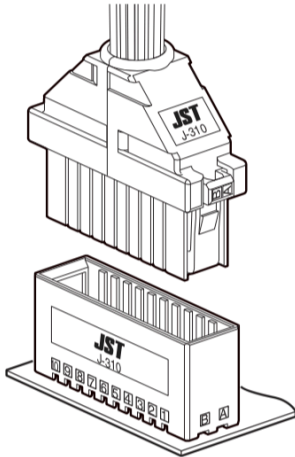
Special product: P...With protector, Blank...Standard product

Packaging form: R...Tray, M...Magazine stick

JFA Connector/Protector



JFA CONNECTOR/PROTECTOR

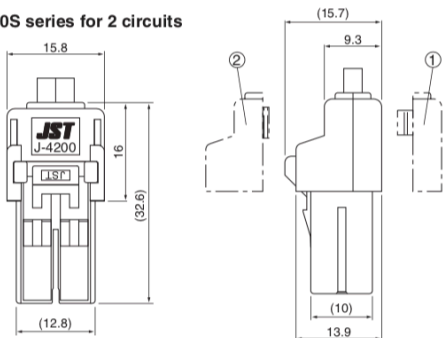


Note: Protector is not UL/CSA/TÜV approved

When applying a current to the connector, the protector prevents foreign substances being inserted into mating part from the wiring side. However it has no function of holding the wire securely.

J4000 Series

J4200S series for 2 circuits



No.	Model No.	Color
①	J42PF-02SCA	Transparent
②	J42PF-02SCB	Transparent

Material
Polycarbonate

RoHS compliance

(Patent pending)
When applying a current to the connector, the protector prevents foreign substances being inserted into mating part from the wiring side. However it has no function of holding the wire securely.