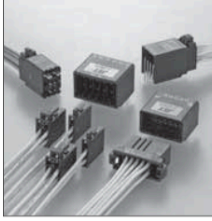


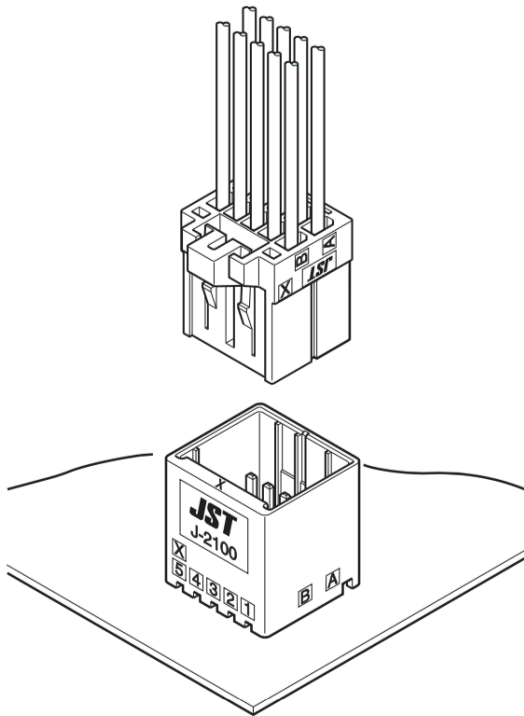
JFA Connector J2000 Series

2.5mm pitch / disconnectable crimp style connectors (Wire-to-board / Wire-to-wire)



JFA CONNECTOR J2000 SERIES

2.5mm pitch / Disconnectable Crimp style connectors (Wire-to-board / Wire-to-wire)



2.5mm pitch connector for miniaturization of electronic equipment. Center locking or side locking options can be used depending on the required application. Receptacle contacts are designed to be common with all JFA connector J2000 series.

- Double-spring construction
- 2 kinds of locking method
- Housing lance
- Clear “click feeling”

Specifications

- Current rating: 4.6A max. AC, DC (3 circuits/AWG #20)
- Voltage rating: 250V AC, DC
- Temperature range: -55°C to +105°C
(including temperature rise in applying electrical current)
- Withstanding voltage: 1,500V AC/minute
- Applicable wire: AWG #28 to #20 (0.08 to 0.75mm²)
- Applicable PC board thickness: 1.6mm

*Contact JST for details.

*RoHS compliant products are published.

Current rating

Unit: A

Circuits	Wire size (AWG)				
	#20	#22	#24	#26	#28
3	4.6	4.4	3.4	3.0	2.4
4	4.5	4.3	3.2	2.8	2.3
6	4.3	4.1	2.8	2.6	2.1
8	4.1	3.6	2.6	2.3	1.9
10	3.9	3.4	2.5	2.2	1.8
12	3.6	3.1	2.4	2.0	1.6
16	3.2	2.8	2.2	1.8	1.4
20	2.9	2.5	2.1	1.7	1.3

Standards

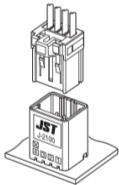
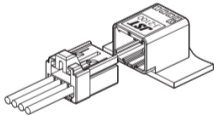
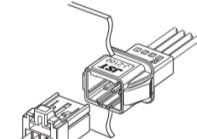
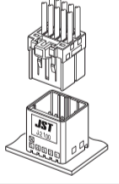
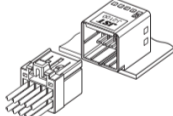
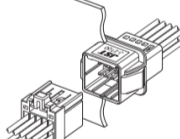
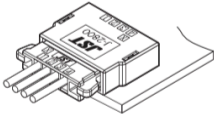
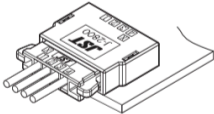

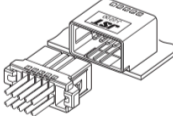
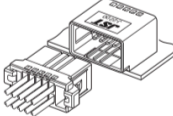

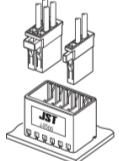
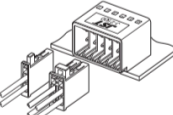
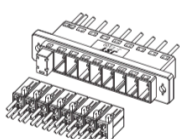
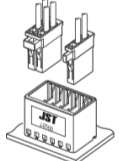
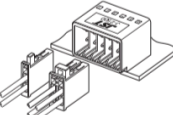
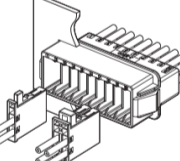
Recognized E60389

JFA Connector J2000 Series

2.5mm pitch/ disconnectable crimp style connectors (Wire-to-board/Wire-to-wire)

List of J2000 series products

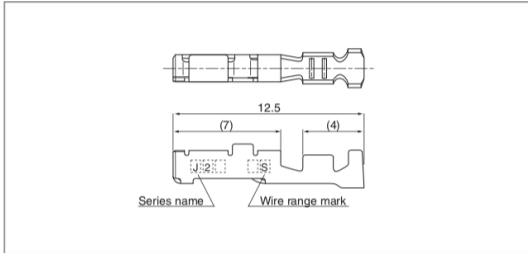
2.5mm pitch/ Voltage rating 250V AC, DC

Type	Wire-to-board		Wire-to-wire
	Top entry type	Side entry type	Panel mounting type
Center locking type	J2100 Single-row type 		
	J2100 Double-row type 		
Side locking type	J2800 Single-row type 		
	J2200 Double-row type 		
Circuits		10	
Common type for sensors	J2300 		
Module type	J2500 		

JFA Connector J2000 Series

2.5mm pitch/disconnectable crimp style connectors (Wire-to-board/Wire-to-wire)

Receptacle contact



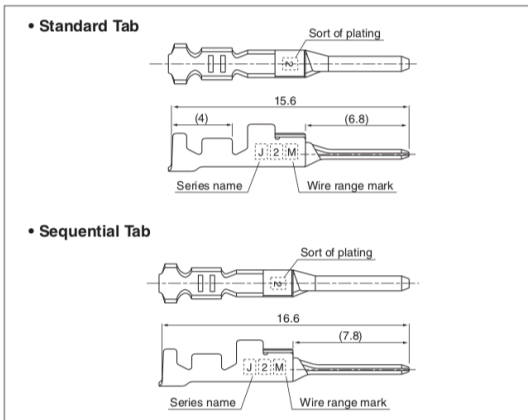
Strip contact Model No.	Applicable wire			Insulation O.D. (mm)	Q'ty / reel
	Nominal	mm ²	AWG#		
SJ2F-002GF-P1.0	S	0.08 ~ 0.20	28 ~ 24	0.88 ~ 1.43	6,000
SJ2F-01GF-P1.0	M	0.20 ~ 0.50	24 ~ 20	1.11 ~ 1.53	6,000
SJ2F-21GF-P1.0	L	0.30 ~ 0.75	—	1.30 ~ 1.90	5,000

Material and Finish

Copper alloy (superior conductivity), nickel-underplated, selective gold-plated

RoHS compliance

Tab contact



Strip contact Model No.	Applicable wire			Insulation O.D. (mm)	Q'ty / reel
	Nominal	mm ²	AWG#		
SJ2M-002GF-M1.0N	S	0.08 ~ 0.20	28 ~ 24	0.88 ~ 1.43	5,500
SJ2M-01GF-M1.0N	M	0.20 ~ 0.50	24 ~ 20	1.11 ~ 1.53	5,500
SJ2M-21GF-M1.0N	L	0.30 ~ 0.75	—	1.30 ~ 1.90	5,000
SJ2M-01GF-M1.0S	Sequential	0.20 ~ 0.50	24 ~ 20	1.11 ~ 1.53	5,500

Material and Finish

Copper alloy (superior conductivity), nickel-underplated, selective gold-plated

RoHS compliance

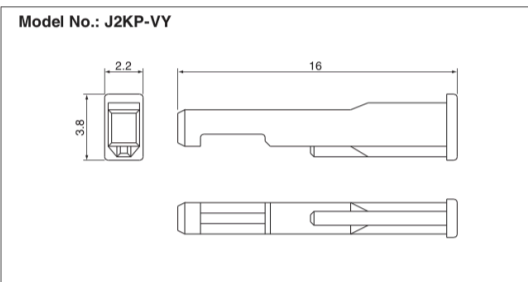
Crimping machine, Applicator

Strip contact Model No.	Crimping machine	Crimp applicator	Dies	Crimp applicator with dies	Hand crimp tools
SJ2F-002GF-P1.0 SJ2M-002GF-M1.0N	AP-K2N	MKS-L	MK/SJ2F/M-002-10	APLMK SJ2F/M002-10	YRS-8851
SJ2F-21GF-P1.0 SJ2M-21GF-M1.0N	AP-K2N	MKS-L *MKS-SC-J2	MK/SJ2F/M-21-10 SC/SJ2F/M21-10	APLMK SJ2F/M21-10 APLSC SJ2F/M21-10	YRF-1120

Strip contact Model No.	Crimping machine	Crimp applicator	Dies	Crimp applicator with dies	Hand crimp tools
SJ2F-01GF-P1.0 SJ2M-01GF-M1.0N SJ2M-01GF-M1.0S	AP-K2N	MKS-L *MKS-SC-J2	MK/SJ2F/M-01-10 SC/SJ2F/M01-10	APLMK SJ2F/M01-10 APLSC SJ2F/M01-10	YRS-8861

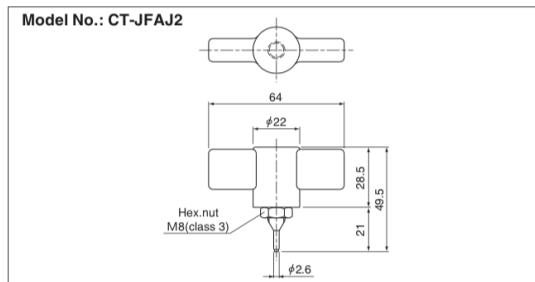
- Extraction tool for J2000 series: E-J-JFAJ2N
- Refer to page 654,655 for details of YRK series hand crimping tool.
- Note 1. *: Strip-crimp applicator
- 2. Contact JST for fully automatic crimping applicator.

Keying plug



RoHS compliance

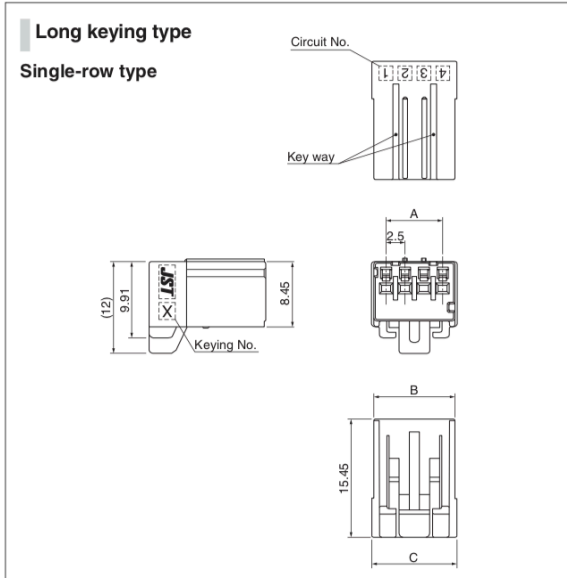
Tab contact cutting tool



JFA Connector J2000 Series

2.5mm pitch/disconnectable crimp style connectors (Wire-to-board/Wire-to-wire)

Receptacle housing (Center locking type)

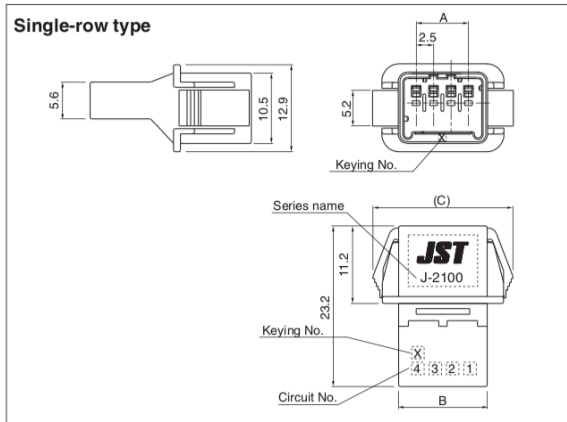


Circuits	Keying	Model No.	Dimensions (mm)			Q'ty / bag
			A	B	C	
3	X	J21SF-03V-KX-L	5.0	8.3	8.9	400
	Y	J21SF-03V-KY-L	5.0	8.3	8.9	400
4	X	J21SF-04V-KX-L	7.5	10.8	11.4	400
	Y	J21SF-04V-KY-L	7.5	10.8	11.4	400

Material
Glass-filled PBT, UL94V-0, black

RoHS compliance

Tab housing (Panel mounting type)

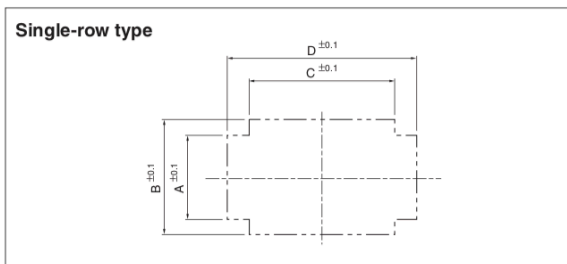


Circuits	Keying	Model No.	Dimensions (mm)			Q'ty / box
			A	B	(C)	
3	X	J21SPM-03V-KX	5.0	10.2	17.6	208
	Y	J21SPM-03V-KY	5.0	10.2	17.6	208
4	X	J21SPM-04V-KX	7.5	12.7	20.1	192
	Y	J21SPM-04V-KY	7.5	12.7	20.1	192

Material
Glass-filled PBT, UL94V-0, black

RoHS compliance

Panel layout

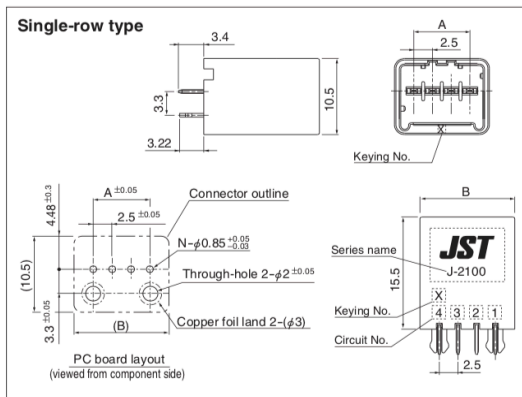


Circuits	Dimensions (mm)			
	A	B	C	D
3	7.8	10.8	10.5	15.2
4	7.8	10.8	13.0	17.7

JFA Connector J2000 Series

2.5mm pitch/disconnectable crimp style connectors (Wire-to-board/Wire-to-wire)

Header Top entry type (Center locking type)



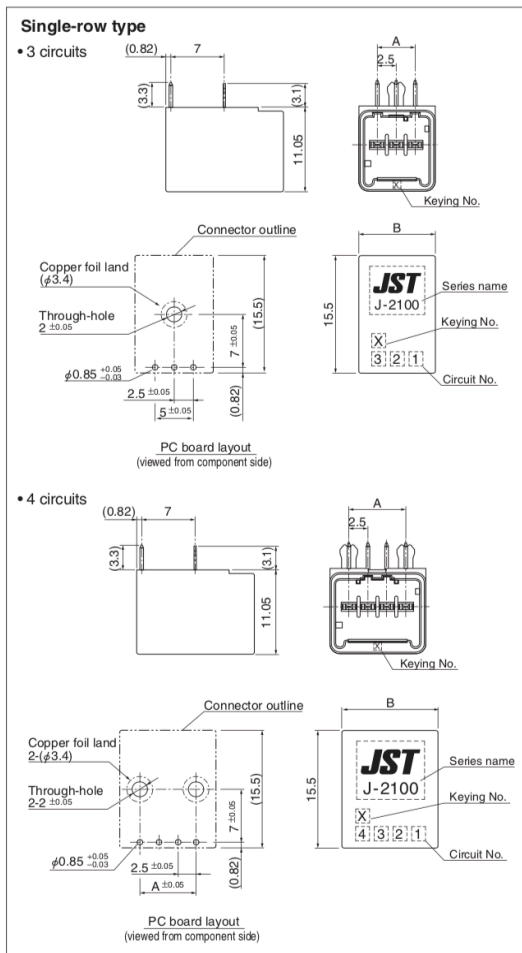
Circuits	Keying	Model No.	Dimensions (mm)		Q'ty / box
			A	B	
3	X	B03B-J21SK-GGXR	5.0	10.2	378
	Y	B03B-J21SK-GGYR	5.0	10.2	378
4	X	B04B-J21SK-GGXR	7.5	12.7	306
	Y	B04B-J21SK-GGYR	7.5	12.7	306

Material and Finish

Tab contact: Copper alloy, nickel-undercoated, selective gold-plated
 Housing: Glass-filled PBT, UL94V-0, black
 Reinforcing metal fixture: Copper alloy, nickel-undercoated, selective gold-plated

RoHS compliance This product displays (LF)(AU) on a label.

Header Side entry type (Center locking type)



Circuits	Keying	Model No.	Dimensions (mm)		Q'ty / box
			A	B	
3	X	S03B-J21SK-GGXR	5.0	10.2	294
	Y	S03B-J21SK-GGYR	5.0	10.2	294
4	X	S04B-J21SK-GGXR	7.5	12.7	238
	Y	S04B-J21SK-GGYR	7.5	12.7	238

Material and Finish

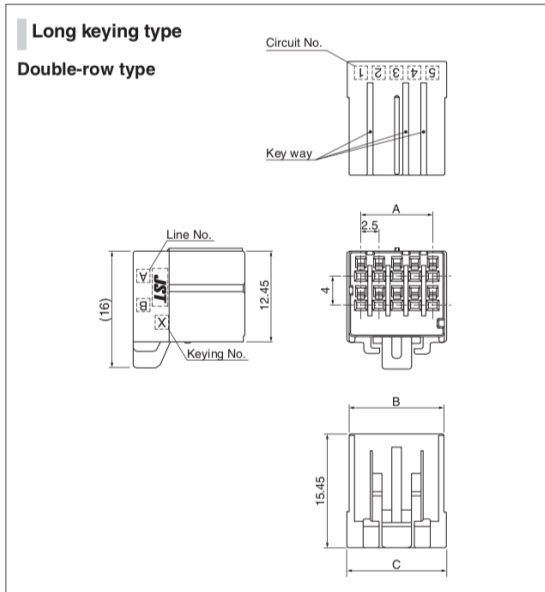
Tab contact: Copper alloy, nickel-undercoated, selective gold-plated
 Housing: Glass-filled PBT, UL94V-0, black
 Reinforcing metal fixture: Copper alloy, nickel-undercoated, selective gold-plated

RoHS compliance This product displays (LF)(AU) on a label.

JFA Connector J2000 Series

2.5mm pitch/disconnectable crimp style connectors (Wire-to-board/Wire-to-wire)

Receptacle housing (Center locking type)



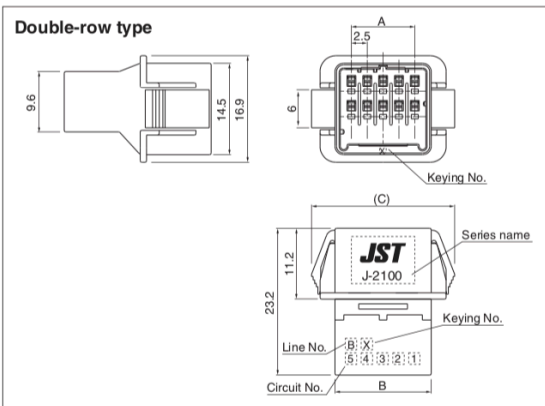
Circuits	Keying	Model No.	Dimensions (mm)			Q'ty / bag
			A	B	C	
6	X	J21DF-06V-KX	5.0	8.3	8.9	300
	Y	J21DF-06V-KY	5.0	8.3	8.9	300
	X	J21DF-06V-KX-L	5.0	8.3	8.9	300
8	Y	J21DF-06V-KY-L	5.0	8.3	8.9	300
	X	J21DF-08V-KX-L	7.5	10.8	11.4	300
10	Y	J21DF-08V-KY-L	7.5	10.8	11.4	300
	X	J21DF-10V-KX-L	10.0	13.3	13.9	200
12	Y	J21DF-10V-KY-L	10.0	13.3	13.9	200
	X	J21DF-12V-KX-L	12.5	15.8	16.4	200
16	Y	J21DF-12V-KY-L	12.5	15.8	16.4	200
	X	J21DF-16V-KX-L	17.5	20.8	21.4	200
20	Y	J21DF-16V-KY-L	17.5	20.8	21.4	200
	X	J21DF-20V-KX-L	22.5	25.8	26.4	100
	Y	J21DF-20V-KY-L	22.5	25.8	26.4	100

Material

Glass-filled PBT, UL94V-0, black

RoHS compliance

Tab housing (Panel mounting type)



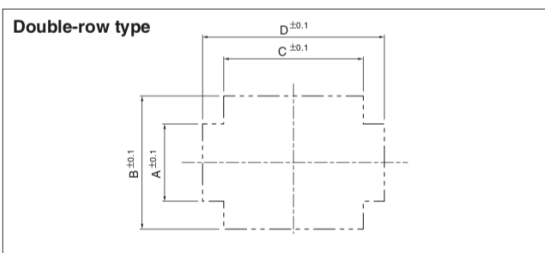
Circuits	Keying	Model No.	Dimensions (mm)			Q'ty / box
			A	B	(C)	
6	X	J21DPM-06V-KX	5.0	10.2	17.6	156
	Y	J21DPM-06V-KY	5.0	10.2	17.6	156
10	X	J21DPM-10V-KX	10.0	15.2	22.6	120
	Y	J21DPM-10V-KY	10.0	15.2	22.6	120
12	X	J21DPM-12V-KX	12.5	17.7	25.1	108
	Y	J21DPM-12V-KY	12.5	17.7	25.1	108
16	X	J21DPM-16V-KX	17.5	22.7	30.1	84
	Y	J21DPM-16V-KY	17.5	22.7	30.1	84
20	X	J21DPM-20V-KX	22.5	27.7	35.1	72
	Y	J21DPM-20V-KY	22.5	27.7	35.1	72

Material

Glass-filled PBT, UL94V-0, black

RoHS compliance

Panel layout

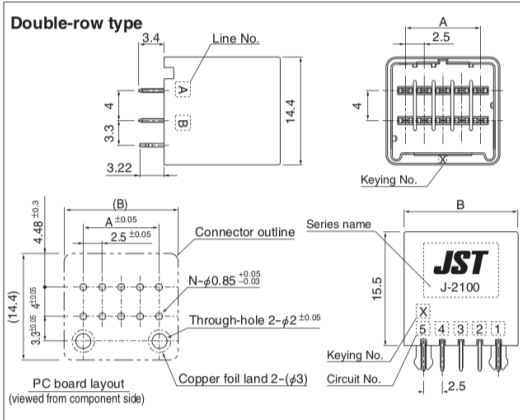


Circuits	Dimensions (mm)			
	A	B	C	D
6	8.6	14.8	10.5	15.2
10	8.6	14.8	15.5	20.2
12	8.6	14.8	18.0	22.7
16	8.6	14.8	23.0	27.7
20	8.6	14.8	28.0	32.7

JFA Connector J2000 Series

2.5mm pitch/disconnectable crimp style connectors (Wire-to-board/Wire-to-wire)

Header Top entry type (Center locking type)



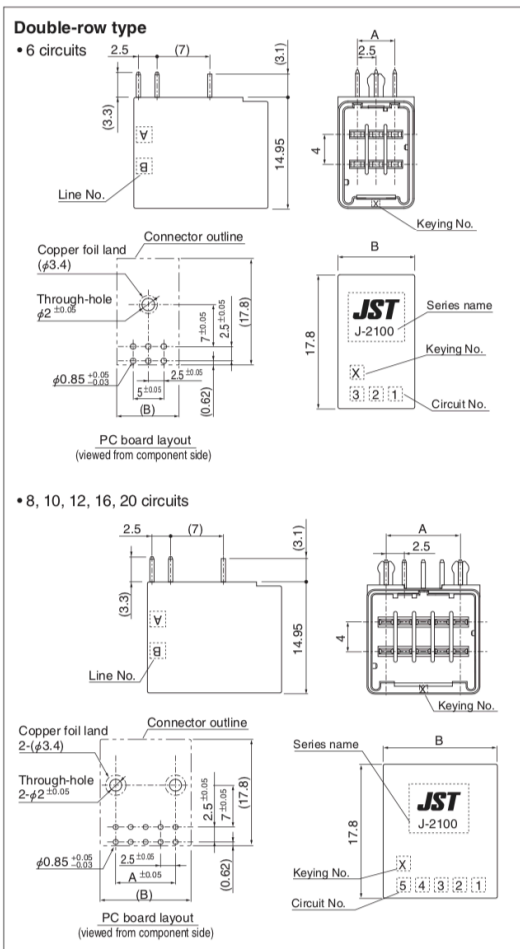
Circuits	Keying	Model No.	Dimensions (mm)		Q'ty / box
			A	B	
6	X	B06B-J21DK-GGXR	5.0	10.2	252
	Y	B06B-J21DK-GGYR	5.0	10.2	252
8	X	B08B-J21DK-GGXR	7.5	12.7	204
	Y	B08B-J21DK-GGYR	7.5	12.7	204
10	X	B10B-J21DK-GGXR	10.0	15.2	168
	Y	B10B-J21DK-GGYR	10.0	15.2	168
12	X	B12B-J21DK-GGXR	12.5	17.7	144
	Y	B12B-J21DK-GGYR	12.5	17.7	144
16	X	B16B-J21DK-GGXR	17.5	22.7	108
	Y	B16B-J21DK-GGYR	17.5	22.7	108
20	X	B20B-J21DK-GGXR	22.5	27.7	84
	Y	B20B-J21DK-GGYR	22.5	27.7	84

Material and Finish

Tab contact: Copper alloy, nickel-undercoated, selective gold-plated
Housing: Glass-filled PBT, UL94V-0, black
Reinforcing metal fixture: Copper alloy, nickel-undercoated, selective gold-plated

RoHS compliance This product displays (LF) (AU) on a label.

Header Side entry type (Center locking type)



Circuits	Keying	Model No.	Dimensions (mm)		Q'ty / box
			A	B	
6	X	S06B-J21DK-GGXR	5.0	10.2	252
	Y	S06B-J21DK-GGYR	5.0	10.2	252
8	X	S08B-J21DK-GGXR	7.5	12.7	204
	Y	S08B-J21DK-GGYR	7.5	12.7	204
10	X	S10B-J21DK-GGXR	10.0	15.2	168
	Y	S10B-J21DK-GGYR	10.0	15.2	168
12	X	S12B-J21DK-GGXR	12.5	17.7	144
	Y	S12B-J21DK-GGYR	12.5	17.7	144
16	X	S16B-J21DK-GGXR	17.5	22.7	108
	Y	S16B-J21DK-GGYR	17.5	22.7	108
20	X	S20B-J21DK-GGXR	22.5	27.7	84
	Y	S20B-J21DK-GGYR	22.5	27.7	84

Material and Finish

Tab contact: Copper alloy, nickel-undercoated, selective gold-plated
Housing: Glass-filled PBT, UL94V-0, black
Reinforcing metal fixture: Copper alloy, nickel-undercoated, selective gold-plated

RoHS compliance This product displays (LF) (AU) on a label.

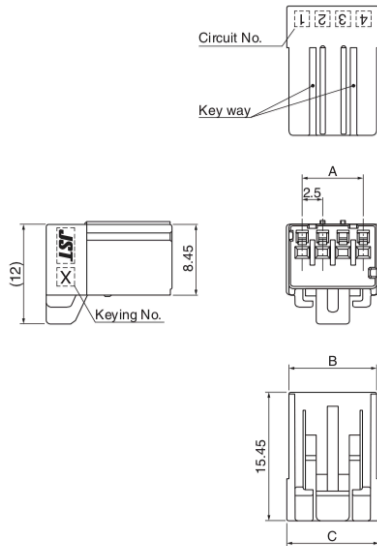
JFA Connector J2000 Series

2.5mm pitch/disconnectable crimp style connectors (Wire-to-board/Wire-to-wire)

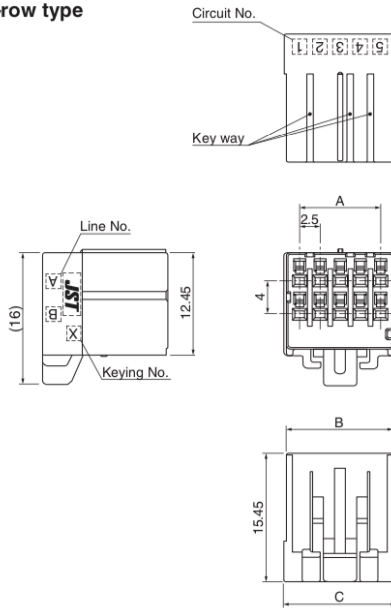
Receptacle housing (Center locking type)

Short keying type

Single-row type



Double-row type



Single-row type

Circuits	Keying	Model No.	Dimensions (mm)			Q'ty / bag
			A	B	C	
3	X	J21SF-03V-KX	5.0	8.3	8.9	400
	Y	J21SF-03V-KY	5.0	8.3	8.9	400
4	X	J21SF-04V-KX	7.5	10.8	11.4	400
	Y	J21SF-04V-KY	7.5	10.8	11.4	400

Double-row type

Circuits	Keying	Model No.	Dimensions (mm)			Q'ty / bag
			A	B	C	
8	X	J21DF-08V-KX	7.5	10.8	11.4	300
	Y	J21DF-08V-KY	7.5	10.8	11.4	300
10	X	J21DF-10V-KX	10.0	13.3	13.9	200
	Y	J21DF-10V-KY	10.0	13.3	13.9	200
12	X	J21DF-12V-KX	12.5	15.8	16.4	200
	Y	J21DF-12V-KY	12.5	15.8	16.4	200
16	X	J21DF-16V-KX	17.5	20.8	21.4	200
	Y	J21DF-16V-KY	17.5	20.8	21.4	200
20	X	J21DF-20V-KX	22.5	25.8	26.4	100
	Y	J21DF-20V-KY	22.5	25.8	26.4	100

Material

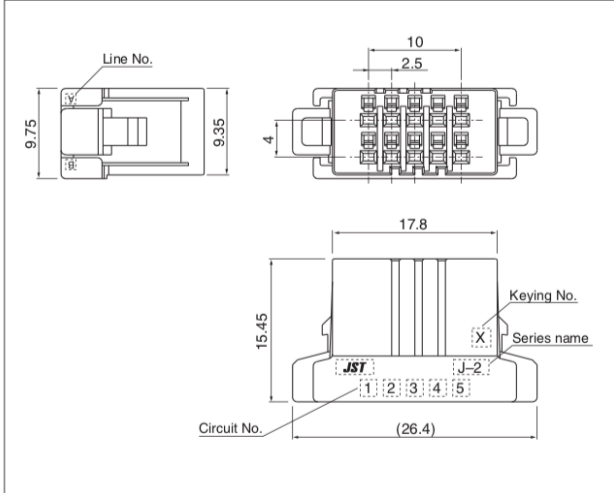
Glass-filled PBT, UL94V-0, black

RoHS compliance

JFA Connector J2000 Series

2.5mm pitch/disconnectable crimp style connectors (Wire-to-board/Wire-to-wire)

Receptacle housing (Side locking type)



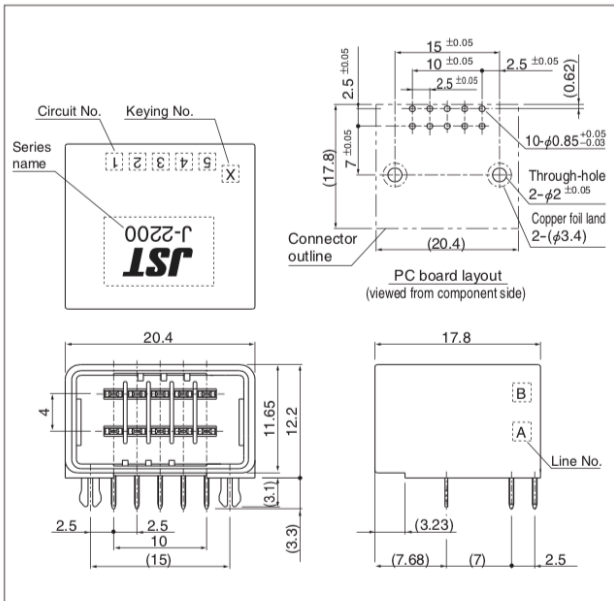
Circuits	Keying	Model No.	Q'ty / bag
10	X	J22DF-10V-KX	250
	Y	J22DF-10V-KY	250

Material

Glass-filled PBT, UL94V-0, black

RoHS compliance

Header Side entry type (Side locking type)



Circuits	Keying	Model No.	Q'ty / box
10	X	S10B-J22DK-GGXR	120
	Y	S10B-J22DK-GGYR	120

Material and Finish

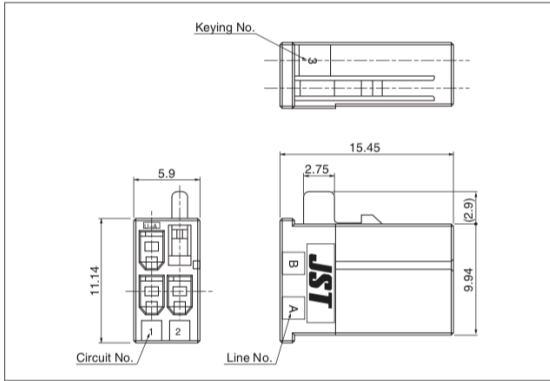
Tab contact: Copper alloy, nickel-undercoated, selective gold-plated
Housing: Glass-filled PBT, UL94V-0, black
Reinforcing metal fixture: Copper alloy, nickel-undercoated, selective gold-plated

RoHS compliance This product displays (LF)(AU) on a label.

JFA Connector J2000 Series

2.5mm pitch/disconnectable crimp style connectors (Wire-to-board/Wire-to-wire)

Receptacle housing (Common type for sensor)



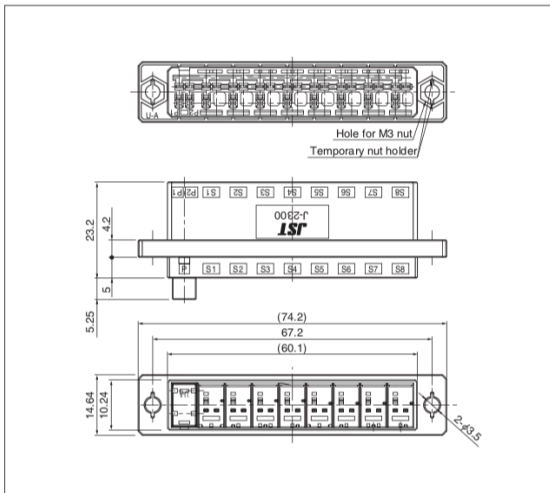
Circuits	Keying	Model No.	Q'ty / box
3	S1	J23CF-03V-KS1	784
	S2	J23CF-03V-KS2	784
	S3	J23CF-03V-KS3	784
	S4	J23CF-03V-KS4	784
	S5	J23CF-03V-KS5	784
	S6	J23CF-03V-KS6	784
	S7	J23CF-03V-KS7	784
	S8	J23CF-03V-KS8	784

Material

Glass-filled PBT, UL94V-0, black

RoHS compliance

T&P connector



Circuits	Keying	Model No.	Q'ty / box
Input	24	S1 ~ S8	64
Output	10		

Material and Finish

Tab contact: Copper alloy, nickel-undercoated, selective gold-plated
Housing: Glass-filled PBT, UL94V-0, black

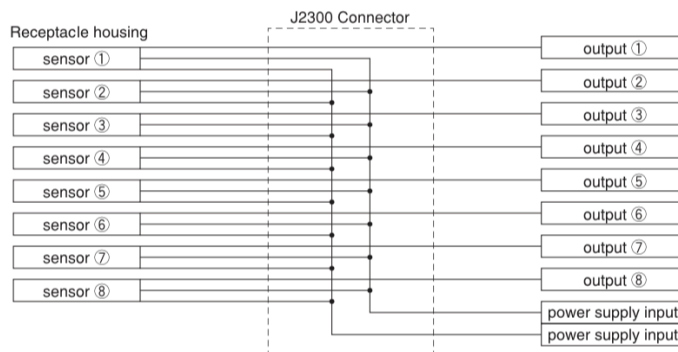
RoHS compliance

• Current rating

Wire size	Current (A)
#20	6.5
#22	5.5
#24	4.0
#26	3.0
#28	2.0

• Voltage rating: 250V AC, DC

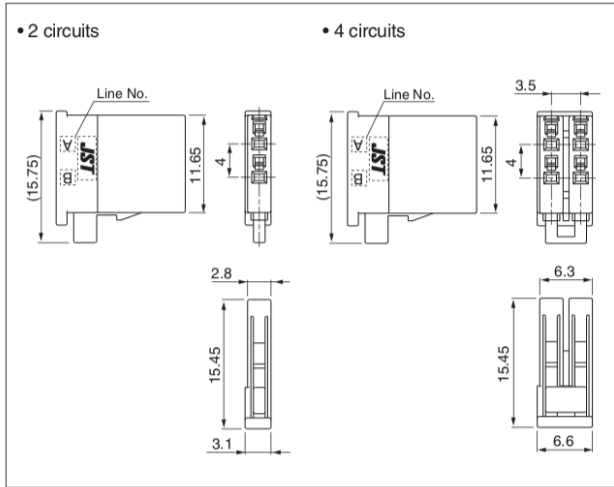
• Circuit composition



JFA Connector J2000 Series

2.5mm pitch/disconnectable crimp style connectors (Wire-to-board/Wire-to-wire)

Receptacle housing (Module type)

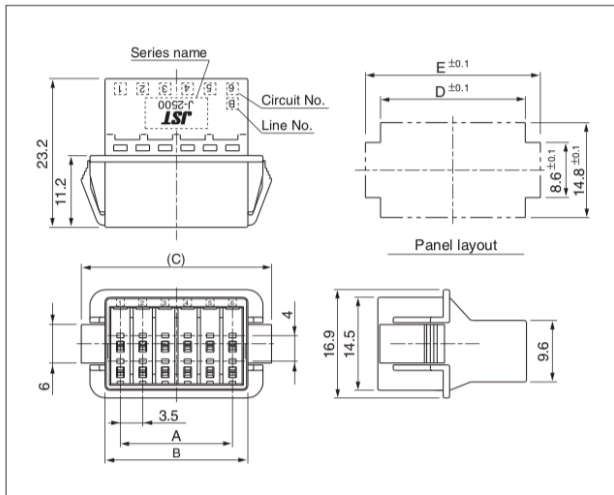


Circuits	Keying	Model No.	Q'ty / bag
2	—	J25MF-02V-K	800
4	—	J25MF-04V-K	400

Material			
Glass-filled PBT, UL94V-0, black			

RoHS compliance

Tab housing (Panel mounting type)



Circuits	Keying	Model No.	Dimensions (mm)					Q'ty / box
			A	B	(C)	D	E	
12	—	J25DPM-12V-K	17.5	22.3	29.7	22.6	27.3	96
20	—	J25DPM-20V-K	31.5	36.3	43.7	36.6	41.3	132

Material								
Glass-filled PBT, UL94V-0, black								

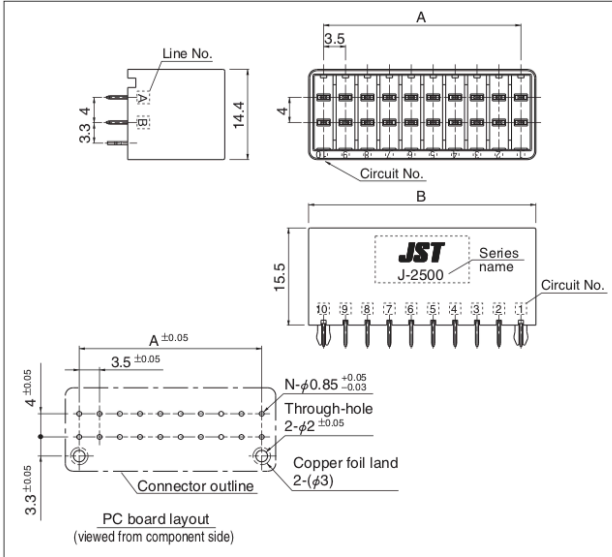
RoHS compliance

Note: Not UL approved.

JFA Connector J2000 Series

2.5mm pitch/disconnectable crimp style connectors (Wire-to-board/Wire-to-wire)

Header Top entry type (Module type)



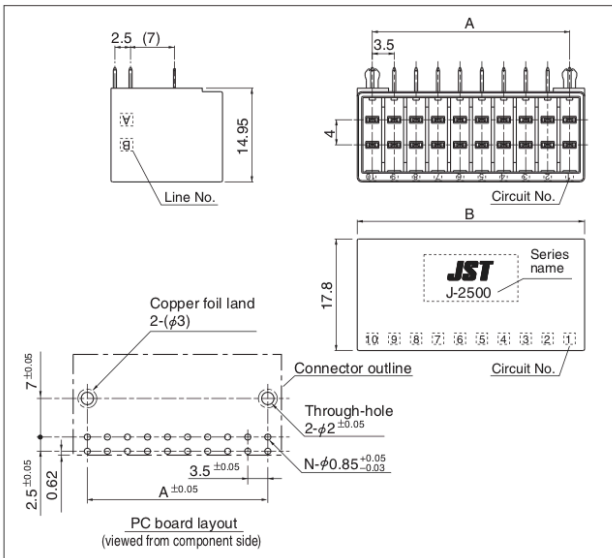
Circuits	Keying	Model No.	Dimensions (mm)		Q'ty / box
			A	B	
12	—	B12B-J25DK-GGR	17.5	22.3	108
20	—	B20B-J25DK-GGR	31.5	36.3	72

Material and Finish

Tab contact: Copper alloy, nickel-undercoated, selective gold-plated
Housing: Glass-filled PBT, UL94V-0, black
Reinforcing metal fixture: Copper alloy, nickel-undercoated, selective gold-plated

RoHS compliance This product displays (LF) (AU) on a label.

Header Side entry type (Module type)



Circuits	Keying	Model No.	Dimensions (mm)		Q'ty / box
			A	B	
12	—	S12B-J25DK-GGR	17.5	22.3	108
20	—	S20B-J25DK-GGR	31.5	36.3	72

Material and Finish

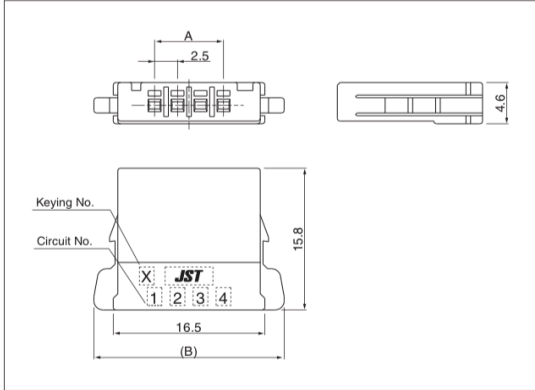
Tab contact: Copper alloy, nickel-undercoated, selective gold-plated
Housing: Glass-filled PBT, UL94V-0, black
Reinforcing metal fixture: Copper alloy, nickel-undercoated, selective gold-plated

RoHS compliance This product displays (LF) (AU) on a label.

JFA Connector J2000 Series

2.5mm pitch / disconnectable crimp style connectors (Wire-to-board / Wire-to-wire)

Receptacle housing

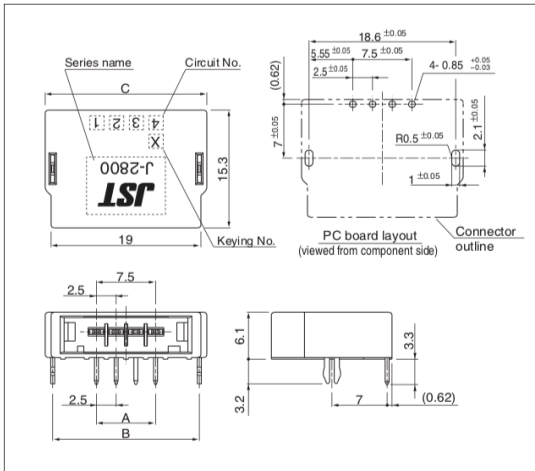


Circuits	Keying	Model No.	Dimensions (mm)		Q'ty / box
			A	(B)	
4	X	J28SF-04V-KX	7.5	20.7	540
	Y	Under planning	—	—	—

Material
PBT, UL94V-0, black

RoHS compliance
Note: Not UL approved.

Header Side entry type (Side locking type)

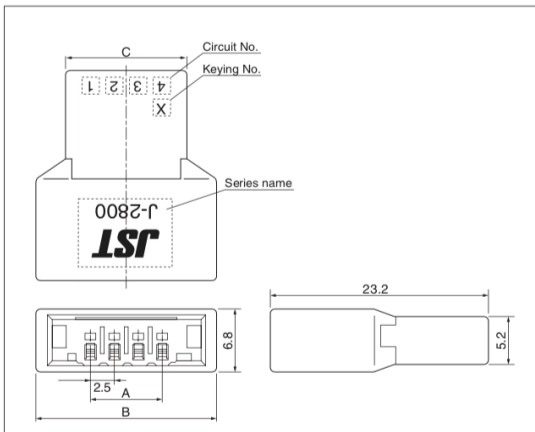


Circuits	Keying	Model No.	Dimensions (mm)			Q'ty / box
			A	B	C	
4	X	S04B-J28SK-GGXQ1R	7.5	18.6	20.5	280
	Y	Under planning	—	—	—	—

Material and Finish
Tab contact: Copper alloy, nickel-undercoated, selective gold-plated
Housing: Glass-filled PBT, UL94V-0, black
Reinforcing metal fixture: Copper alloy, nickel-undercoated, selective gold-plated

RoHS compliance This product displays (LF) on a label.
Note: 1. 3rd and 4th pins are sequential pins.
2. Not UL approved.

Tab housing (Free hanging type)



Circuits	Keying	Model No.	Dimensions (mm)			Q'ty / box
			A	B	C	
4	X	J28SFM-04V-KX	7.5	19	12.7	—
	Y	Under planning	7.5	19	12.7	—

Material
PBT, UL94V-0, black

RoHS compliance
Note: Not UL approved.

JFA Connector J2000 Series

2.5mm pitch/disconnectable crimp style connectors (Wire-to-board/Wire-to-wire)

Model number identification

Receptacle contact

S J2 F - 01 GF - P 1.0

Form: S...Strip form
Series name
Kind of terminal: F...Receptacle contact
Applicable wire: 002...AWG #28 ~ AWG#24
01...AWG #24 ~ AWG#20
21...0.3 to 0.75mm²
Surface finish: GF...Nickel-undercoated, 0.38µm selective gold-plated
Material: P...Copper alloy
Terminal size

Tab contact

S J2 M - 01 GF - M 1.0 S

Form: S...Strip form
Series name
Kind of terminal: M...Tab contact
Applicable wire: 002...AWG #28 ~ #24
01...AWG #24 ~ #20
21...0.3 to 0.75mm²
Surface finish: GF...Nickel-undercoated, 0.38µm selective gold-plated
Material: M...Copper alloy
Terminal size
Sequential identification: N...Normal, S...Sequential

Receptacle housing

J21 D F-06 V - K X - L

Series name: J21...Center locking type
J22...Side locking type
J23...Center locking type (for sensor)
J25...Module type
J28...Side locking type (Thin type)
Rows: S...Single-row, D...Double-row, M...Module-row
C...For sensor-row
Type of connector: F...Receptacle housing
No. of circuits: 2, 3, 4, 6, 8, 10, 12, 16, 20
Flammability: UL94V-0
Color indication: K...Black, S...Natural (White), PK...Pink
Keying: X...X-Keying, Y...Y-Keying, ※...S1 ~ S8
Key way type: L...Long keying type
Blank...Short keying type (6 circuits is long keying type)

Tab housing

J21 D P M-06 V - K X

Series name: J21...Center locking type
J22...Side locking type
J25...Module type
Rows: S...Single-row, D...Double-row
Configuration: F...Free hanging, P...Panel mounting
Type of connector: M...Tab housing
No. of circuits: 3, 4, 6, 10, 12, 16, 20
Flammability: UL94V-0
Color indication: K...Black
Keying: X...X-Keying, Y...Y-Keying

Header

S 04 B - J28 S K -GG X Q1 R

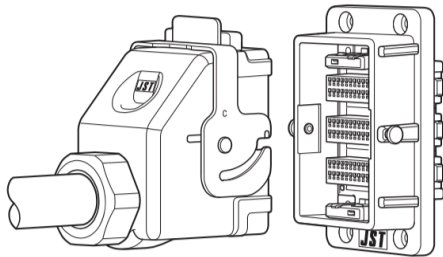
PC board mounting direction:
B...Top entry type
S...Side entry type
P...Panel mounting type
No. of circuits: 3, 4, 6, 8, 10, 12, 16, 20
Product name: Header
Series name: J21...Center locking type
J22...Side locking type
J23...Center locking type (for sensor)
J25...Module type
J28...Side locking type (Thin type)
Rows: S...Single-row, D...Double-row
Color indication: K...Black, S...Natural (White), PK...Pink
Surface finish: GG...Nickel-undercoated, 0.38µm selective gold-plated
Keying: X...X-Keying, Y...Y-Keying, N...Special keying (S1 ~ S8)
Sequential indication: Q1...Sequential type, Blank...Standard type
Packaging form: R...Tray

JFA Connector Metal Shell Series

Disconnectable crimp style (Wire-to-wire connectors)



JFA CONNECTOR METAL SHELL SERIES *Disconnectable Crimp style (Wire-to-wire connectors)*



Metal shell type I/O connector which contacts are used also with JFA connector J2000 series and J300 series. 2, 3 or 4 modules for contacts are available.

- **Applicable contact and tooling can be unified**
- **Rigid metal shell**
- **Waterproof performance**
- **Misinsertion prevention**
- **Sequential circuit**

*Contact JST for details.

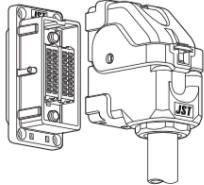
*RoHS compliant products are published.

JFA Connector Metal Shell Series

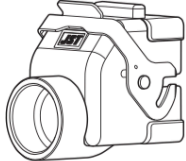

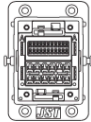
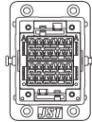
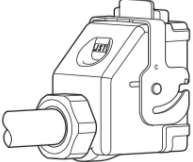
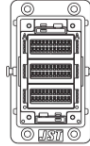
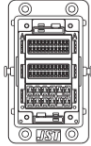
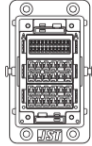
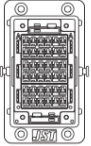
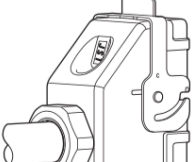

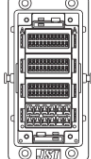


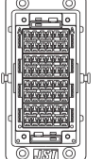
Disconnectable crimp style (Wire-to-wire connectors)

List of metal shell

J2900

Connector series	J2000 series
	40 circuits
J2900	
Circuits	20 × 2 pcs.

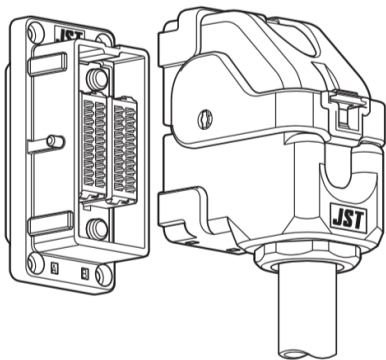
JFA-M

Type	Shell	Hybrid type			
2 Module		J2000(22P) × 2	J2000(22P) × 1 + J300(12P) × 1	J300(12P) × 2	
					
Circuits		44	34	24	
3 Module		J2000(22P) × 3	J2000(22P) × 2 + J300(12P) × 1	J2000(22P) × 1 + J300(12P) × 2	J300(12P) × 3
					
Circuits		66	56	46	36
4 Module		J2000(22P) × 4	J2000(22P) × 3 + J300(12P) × 1	J2000(22P) × 2 + J300(12P) × 2	J300(12P) × 4
			 		
Circuits		88	78, 58	68	48

JFA Connector J2900 Series



JFA CONNECTOR J2900 SERIES



This connector is a metal shell type I/O connector and it's completely waterproof. Contacts are designed to be common use with JFA connector J2000 series. The long type tab contact realizes sequential circuit construction.

- Rigid metal shell
- Easy mating operation
- Long type tab contact

Specifications

- Current rating: 3A max. AC, DC
- Voltage rating: 250V AC, DC
- Temperature range: -55°C to +105°C
(including temperature rise in applying electrical current)
- Withstanding voltage: 1,500V AC/minute
- Applicable wire: AWG #28 to #20 (0.08 to 0.75mm²)
- Cable O.D.: 11.1 to 13.5mm

*Contact JST for details.

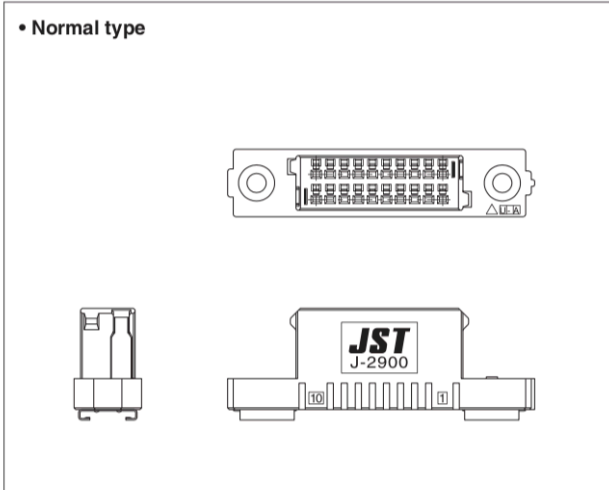
Standards

Recognized E60389

JFA Connector J2900 Series

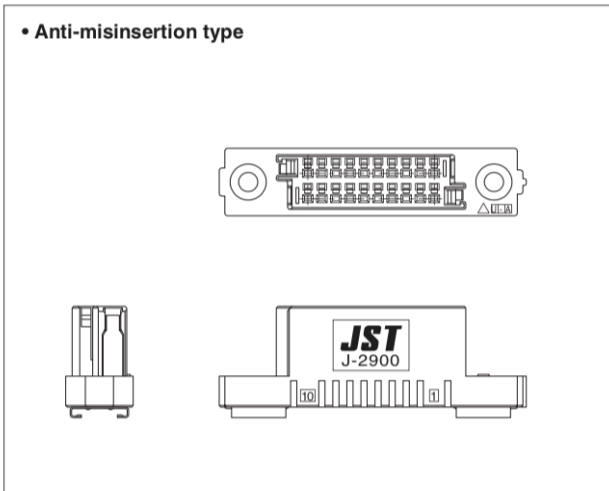
Receptacle housing assembly

• Normal type



Circuits	Model No.	Q'ty/bag
20	J29FA-20-K	70

• Anti-misinsertion type

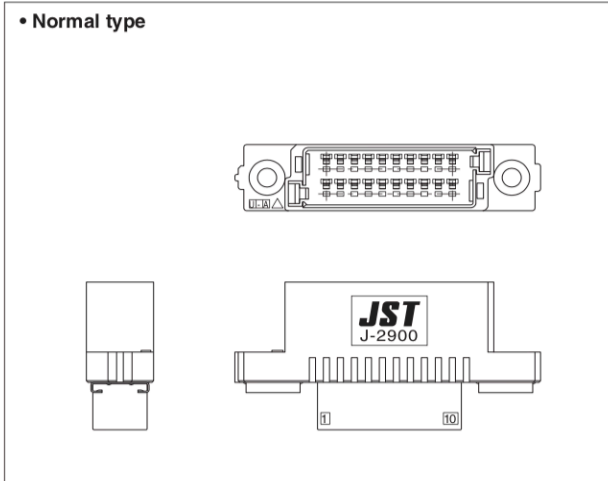


Circuits	Model No.	Q'ty/bag
20	J29FA-20-H-1	70

JFA Connector J2900 Series

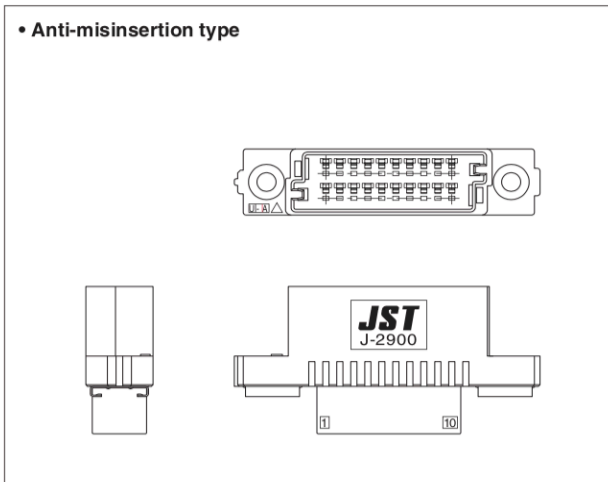
Tab housing assembly

• Normal type



Circuits	Model No.	Q'ty/bag
20	J29FA-20-K	70

• Anti-misinsertion type



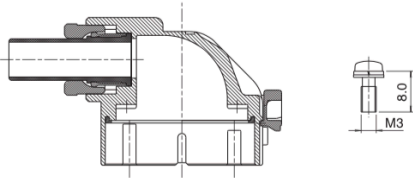
Circuits	Model No.	Q'ty/bag
20	J29MA-20-H-1	70

JFA Connector J2900 Series

Wire side

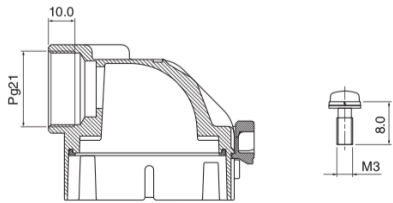
Shell kit

• Normal type



Model No.	Q'ty/bag
J29WK-K-1	30

• For Pg21

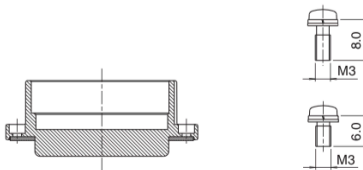


Pg21 screw mounting product (for flexible tubing, etc.)

Model No.	Q'ty/bag
J29WK-K-A	35

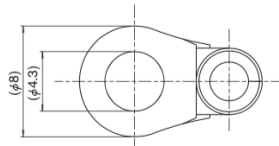
Panel side

Shell kit



Model No.	Q'ty/bag
J29PK-K	35

Ground terminal

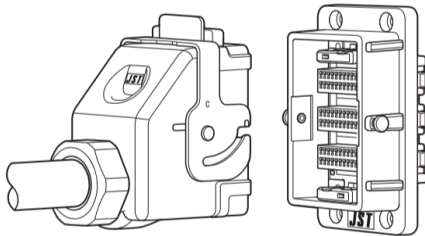


Model No.	Q'ty/bag
L3.5-R4	1,000

JFA Connector JFA-M Series



JFA CONNECTOR JFA-M SERIES



Metal shell type I/O connector which contacts are designed to be common use with JFA connector J2000 series and J300 series.

- Rigid metal shell
- Lever (3 and 4 module type) provides easy mating and unmating connector
- Combination of modular housing

Specifications

- Current rating: Refer to the following matrix table.
- Voltage rating: 250V AC, DC (J2000 series)
600V AC, DC (J300 series)
- Temperature range: -55°C to +105°C
(including temperature rise in applying electrical current)
- Withstanding voltage: 1,500V AC/minute (J2000 series)
2,200V AC/minute (J300 series)

*Contact JST for details.

Current rating	Unit: A	
	J2000 Series	J300 Series
	Wire size	
	AWG#20	AWG#16
2 Module	3(44P)	5(24P)
3 Module	3(66P)	5(36P)
4 Module	2.5(88P)	5(48P)

Standards

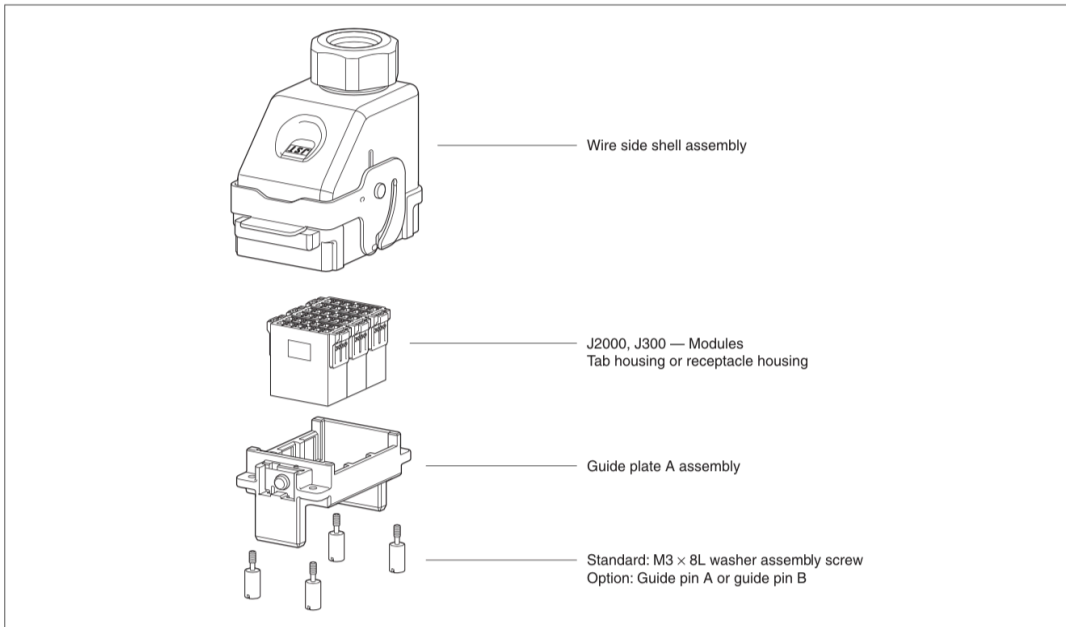
Recognized E60389

JFA Connector JFA-M Series

Components

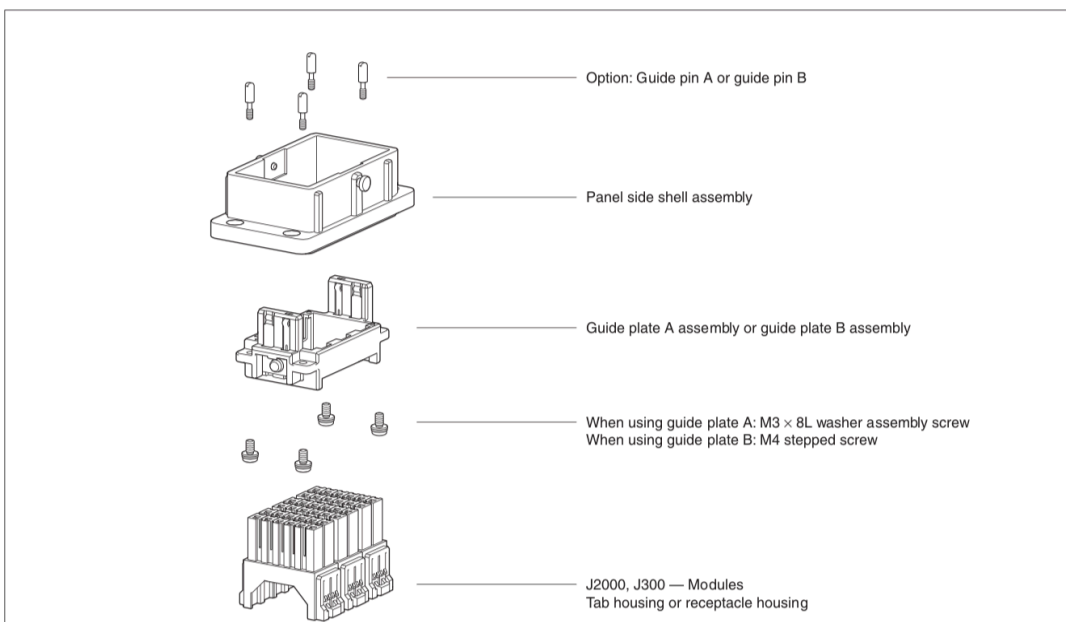
Wire side

Shell assembly



Panel side

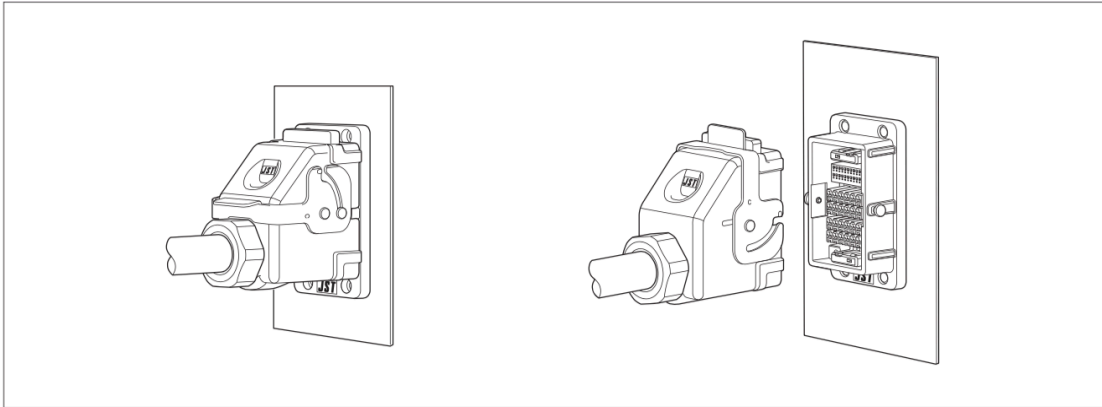
Shell assembly



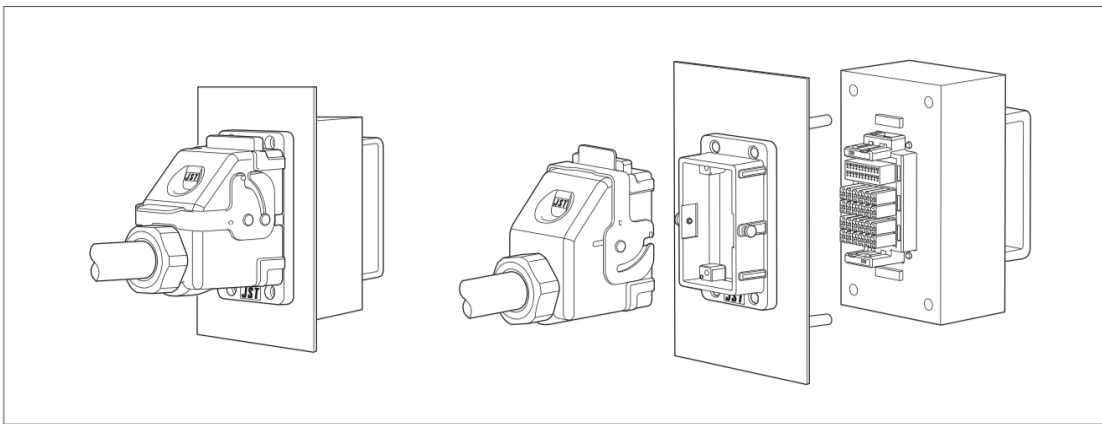
JFA Connector JFA-M Series

Examples of use

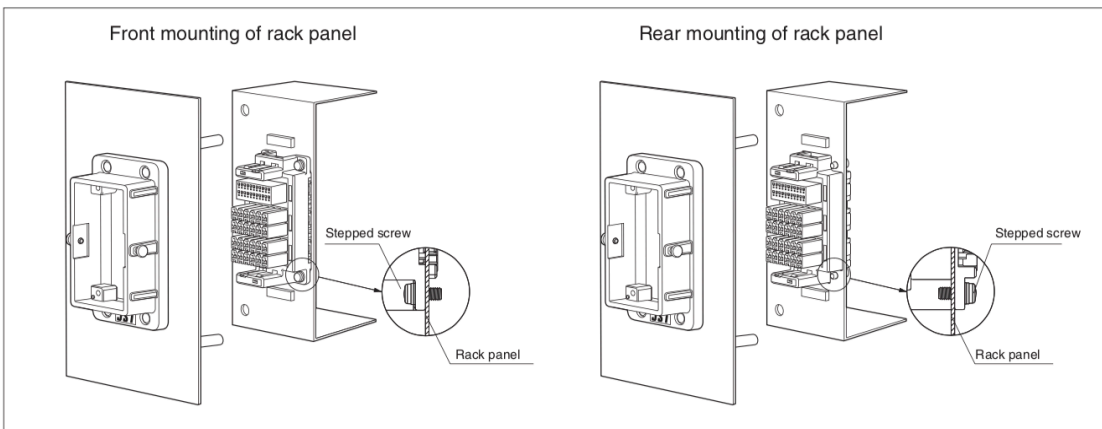
Waterproof I/O connector



Drawer type

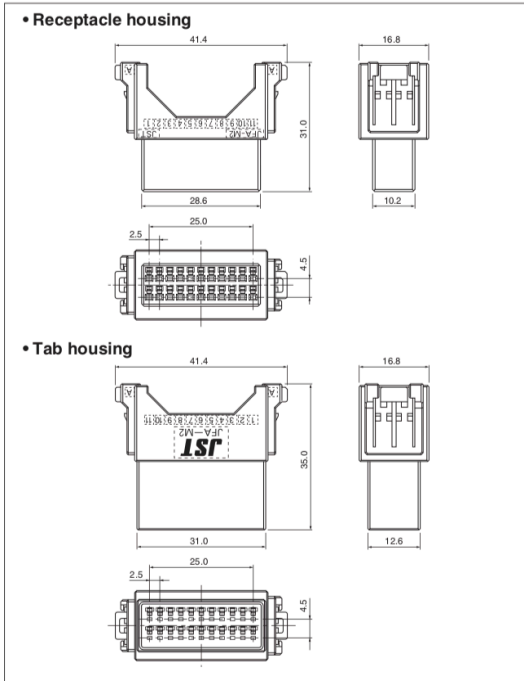


Drawer type (Rack mounting method)



JFA Connector JFA-M Series

J2000 series housing (Used for both panel mounting and drawer type)

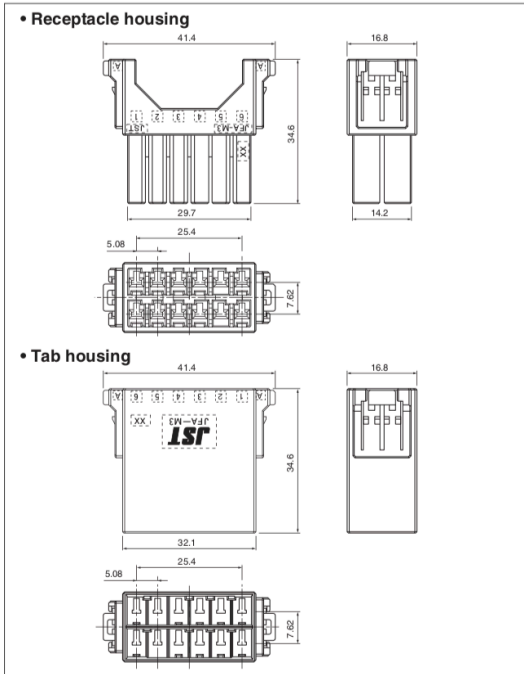


	Model No.	Q'ty/bag
Receptacle housing	JFM2FDN-22V-K	50
Tab housing	JFM2MDN-22V-K	50

RoHS compliance

Note: Refer to page 438 about J2000 series contact.

J300 series housing (Used for both panel mounting and drawer type)



	Model No.	Q'ty/bag
Receptacle housing	JFM3FMN-12V-K	50
Tab housing	JFM3MMN-12V-K	50

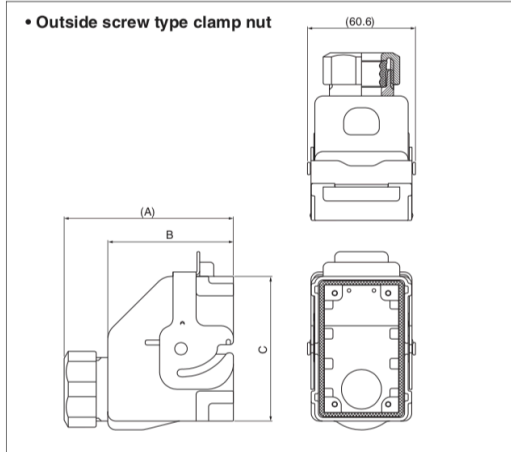
RoHS compliance

Note: Refer to page 453 about J300 series contact.

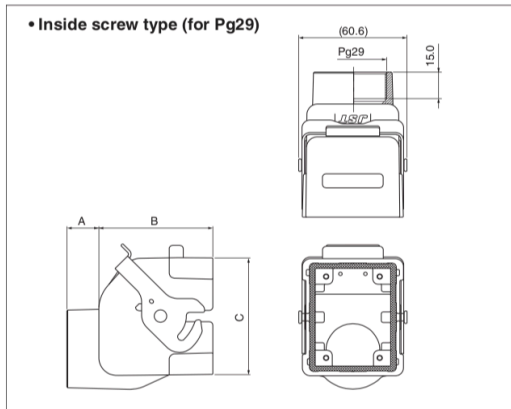
JFA Connector JFA-M Series

Wire side

Shell assembly



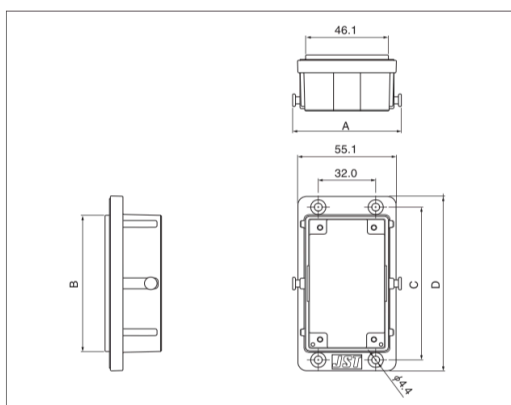
No. of combining housing	Model No.	Dimensions (mm)			Q'ty/bag
		A	B	C	
3 module	JFM-WSA-3-B	(95.0)	70.5	82.0	1
4 module	JFM-WSA-4-A	(103.5)	79.0	99.0	1



No. of combining housing	Model No.	Dimensions (mm)			Q'ty/bag
		A	B	C	
2 module	JFM-WSA-2-1	18.0	64.0	66.2	1

Panel side

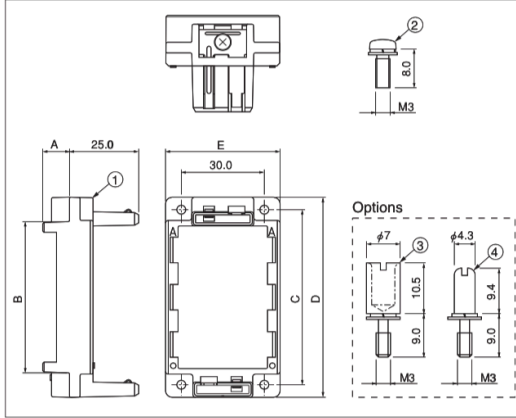
Shell assembly



No. of combining housing	Model No.	Dimensions (mm)				Q'ty
		A	B	C	D	
2 module	JFM-PSA-2	(60.5)	59.7	69.0	81.5	1 (bag)
3 module	JFM-PSA-3	(60.6)	76.7	86.0	98.5	12 (box)
4 module	JFM-PSA-4	(60.6)	93.7	103.0	115.5	10 (box)

JFA Connector JFA-M Series

Guide plate A (With the combination of wire side and panel side shell assembly)



No. of combining housing	Model No.	Dimensions (mm)					Q'ty
		A	B	C	D	E	
2 module	JFM-GPAK-2	9.6	37.4	46.0	54.8	41.9	1 (bag)
3 module	JFM-GPAK-3	9.7	54.4	63.0	72.0	41.4	24 (box)
4 module	JFM-GPAK-4	9.7	71.4	80.0	89.0	41.4	16 (box)

No.	Parts name	Model No.	Q'ty
①	Guide plate A	—	—
②	Washer assembly screw	—	—
③	Guide pin A	JFM-PIA3-N	1,000 (bag)
④	Guide pin B	JFM-PIB3-N	1,000 (bag)

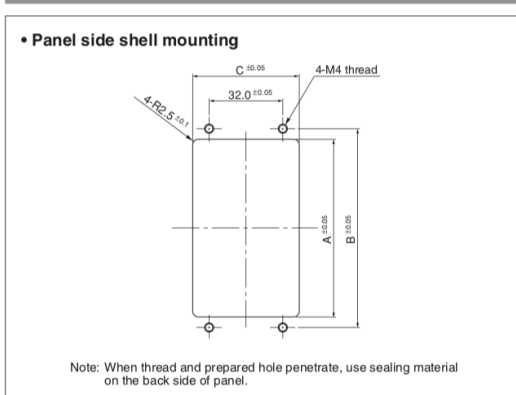
Note: Guide pin A and guide pin B are option.

List of combinations of guide pin A and guide pin B (Shell mounting pattern at panel side)

No. of guide pin	Pattern 1	Pattern 2	Pattern 3	Pattern 4	Pattern 5	Pattern 6
Guide pin A : 0 Guide pin B : 4						
Guide pin A : 1 Guide pin B : 3						
Guide pin A : 2 Guide pin B : 2						
Guide pin A : 3 Guide pin B : 1						
Guide pin A : 4 Guide pin B : 0						

Note: Shell mounting pattern at wire side becomes opposite to the above pattern.

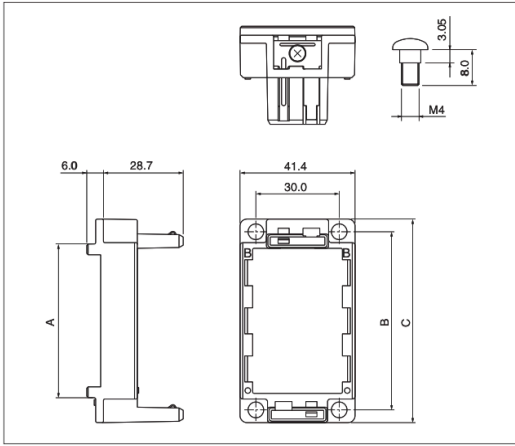
Panel cut dimension



No. of combining housing	Dimensions (mm)		
	A	B	C
2 module	60.0	69.0	46.4
3 module	76.9	86.0	46.3
4 module	93.9	103.0	46.3

JFA Connector JFA-M Series

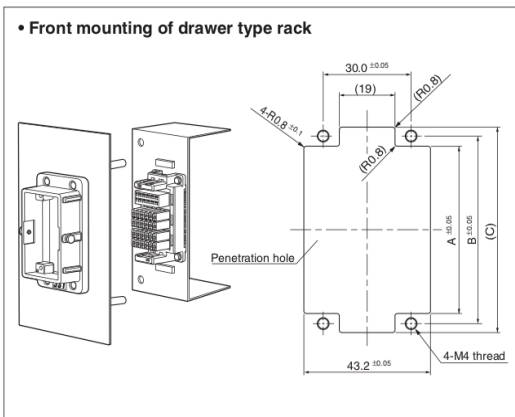
Guide plate B



No. of combining housing	Model No.	Dimensions (mm)			Q'ty/bag
		A	B	C	
3 module	JFM-GPBK-3	54.4	63.0	72.0	24
4 module	JFM-GPBK-4	71.4	80.0	89.0	16

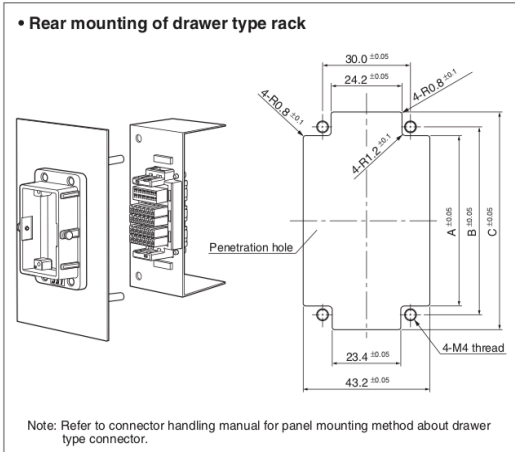
Panel cut dimension

• Front mounting of drawer type rack



No. of combining housing	Dimensions (mm)		
	A	B	C
3 module	56.2	63.0	69.0
4 module	73.2	80.0	86.0

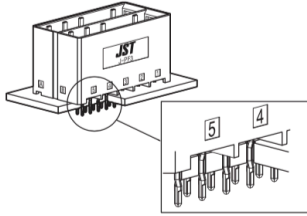
• Rear mounting of drawer type rack



No. of combining housing	Dimensions (mm)		
	A	B	C
3 module	57.1	63.0	73.0
4 module	74.1	80.0	90.0

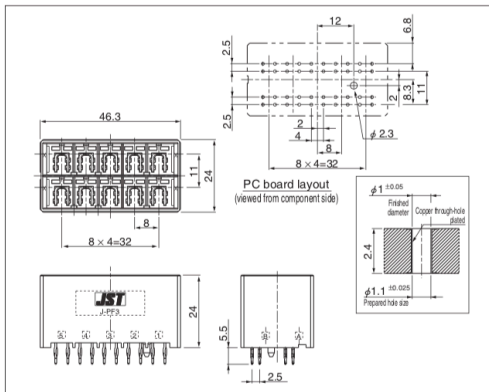
J300 Series / J-PF3 Press Fit Type

J300 SERIES/J-PF3 PRESS FIT TYPE



- Press fit contact is adopted.
- Easy PC board layout
- Use the receptacle contact of J300 series

Header Top entry type (Press fit type)

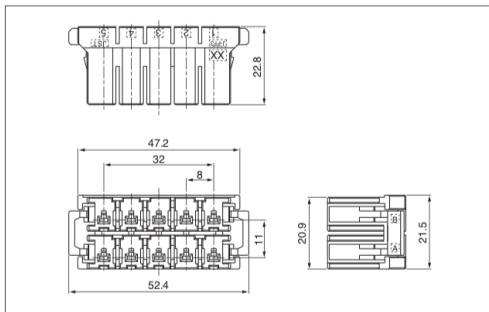


Circuits	Keying	Model No.	Q'ty / box
10	XX	B10B-JPF3MK-GKXXR	96
	YY	B10B-JPF3MK-GKYXR	96
	XY	B10B-JPF3MK-GKXYR	96
	YX	B10B-JPF3MK-GKYYR	96

Material and Finish
Post: Copper alloy, gold-plated
Housing: Thermoplastic resin

RoHS compliance
Note: 1. Contact JST for jig for press fit.
2. Not CSA/UL/TÜV approved.

Receptacle housing

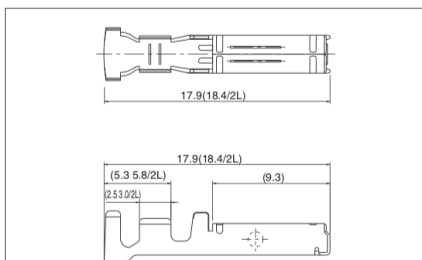


Circuits	Keying	Model No.	Q'ty / bag
10	XX	JPF3FMS-10V-KXX	400
	YY	JPF3FMS-10V-KYY	400
	XY	JPF3FMS-10V-KXY	400
	YX	JPF3FMS-10V-KYX	400

Material
Housing: Thermoplastic resin

RoHS compliance
Note: Not CSA/UL/TÜV approved.

Receptacle contact



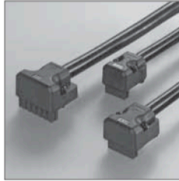
Model No.		Applicable wire			Insulation O.D.		Q'ty	
Strip contact	Loose piece	Nominal	mm ²	AWG#	(mm)	reel	Loose piece	
SF3F-002GF-P2.0	BF3F-002GF-P2.0	S	0.08 ~ 0.20	28 ~ 24	0.8 ~ 1.4	3,700	1,000	
SF3F-01GF-P2.0	BF3F-01GF-P2.0	M	0.20 ~ 0.50	24 ~ 20	1.2 ~ 2.6	3,700	1,000	
SF3F-41GF-P2.0	LF3F-41GF-P2.0	L	0.50 ~ 1.25	20 ~ 16	1.8 ~ 2.8	3,200	1,000	
*SF3F-71GF-P2.0	*BF3F-71GF-P2.0	2L	1.25 ~ 2.0	16 ~ 14	2.4 ~ 3.4	3,200	1,000	

Material and Finish
Copper alloy (superior conductivity), nickel-undercoated, selective gold-plated tin-plated (reflow treatment)

RoHS compliance
Note: *Marked products are not CSA/TÜV approved.

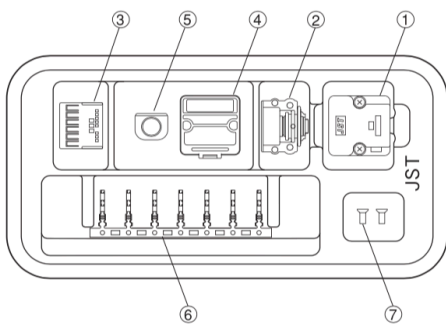
JFA Connector J1700/2700/3700 Series

Connector kits for motor



JFA CONNECTOR J1700/2700/3700 SERIES

Connector kits for motor



• 6 circuits connector for power supply of servomotor

Specifications

- Current rating: 5.0A AC, DC [J1700 series 2.0mm pitch]
7.0A AC, DC [J2700 series 2.5mm pitch]
10.0A AC, DC [J3700 series 3.8mm pitch]
 - Voltage rating: 250V AC, DC
 - Temperature range: -55°C to +105°C
(including temperature rise in applying electrical current)
 - Waterproof grade: Grade 5 ingress protection of JIS C 0920
(IEC 60529 IPX5)
- *Contact JST for details.

Kit components

No.	Components	Q'ty
①	Top cover assembly	1
②	Bottom cover assembly	1
③	Receptacle housing	1
④	Rubber plate seal	1
⑤	Seal ring	1
⑥	Receptacle contact	7
⑦	Flat countersunk head screw	2

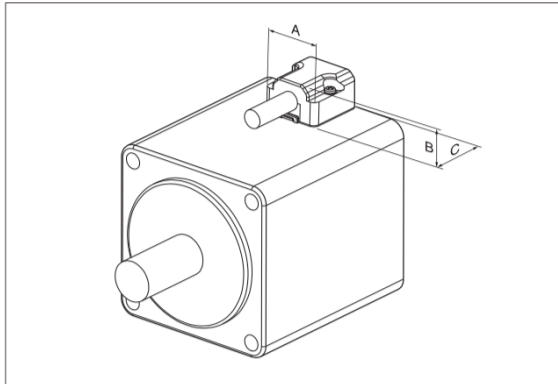
Standards

Recognized E60389

JFA Connector J1700/2700/3700 Series

Connector kits for motor

Connector kit outer dimension



Series	Dimensions (mm)		
	A	B	C
J1700	16.4	12.0	20.2
J2700	21.0	13.0	21.2
J3700	27.0	15.0	21.2

Connector kit model No.

Series	Pitch (mm)	Model No.	Cable finished diameter (mm)	Nominal
J1700	2.0	J17-06FMH-6KL-1S-CF	6.0	S
		J17-06FMH-6KL-1M-CF	6.0	M
		J17-06FMH-7KL-1S-CF	7.0	S
		J17-06FMH-7KL-1M-CF	7.0	M
J2700	2.5	J27-06FMH-6KL-1S-CF	6.0	S
		J27-06FMH-6KL-1M-CF	6.0	M
		J27-06FMH-7KL-1S-CF	7.0	S
		J27-06FMH-7KL-1M-CF	7.0	M
J3700	3.8	J37-06FMH-8KL-1S-CF	8.0	S
		J37-06FMH-8KL-1M-CF	8.0	M
		J37-06FMH-8KL-1L-CF	8.0	L
		J37-06FMH-9KL-1S-CF	9.0	S
		J37-06FMH-9KL-1M-CF	9.0	M
		J37-06FMH-9KL-1L-CF	9.0	L

RoHS compliance

Model number identification

J17 - 06 FMH - 6 K L - 1S - CF	
Series name: J17...J1700 Series	
J27...J2700 Series	
J37...J3700 Series	
No. of circuits: 6	
Type of connector: Receptacle housing	
Cable insulation O.D.: J1700 Series..6.0, 7.0	
J2700 Series..6.0, 7.0	
J3700 Series..8.0, 9.0	
Color indication: K...Black	
Packaging form: Tray for kit	
Receptacle contact size : S , M , L	
Hexavalent chromium free	

Receptacle contact

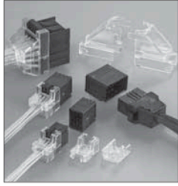
Nominal	Applicable wire		Wire insulation O.D. (mm)	J1700 Series	J2700 Series	J3700 Series
	mm ²	AWG #				
S	0.08 ~ 0.20	28 ~ 24	0.88 ~ 1.43	SJ1F-002GF-P0.8	SJ2F-002GF-P1.0	SJ3F-002GF-P1.8
			1.11 ~ 1.53	SJ1F-01GF-P0.8	SJ2F-01GF-P1.0	—
M	0.20 ~ 0.50	24 ~ 20	1.11 ~ 1.86	—	—	SJ3F-01GF-P1.8
			1.53 ~ 2.50	—	—	SJ3F-41GF-P1.8
L	0.50 ~ 1.25	20 ~ 16				

RoHS compliance

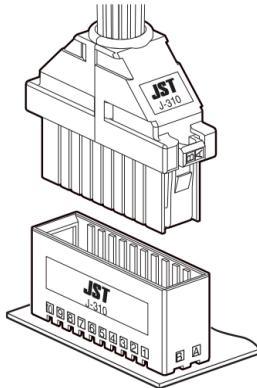
Hand crimping tool

Series	Nominal	Receptacle contact	Hand crimp tool
J1700	S	SJ1F-002GF-P0.8	YRS-8831
	M	SJ1F-01GF-P0.8	YRS-8841
J2700	S	SJ2F-002GF-P1.0	YRS-8851
	M	SJ2F-01GF-P1.0	YRS-8861
J3700	S	SJ3F-002GF-P1.8	YRF-882
	M	SJ3F-01GF-P1.8	YRF-881
	L	SJ3F-41GF-P1.8	YRF-880

JFA Connector / Protector



JFA CONNECTOR/PROTECTOR

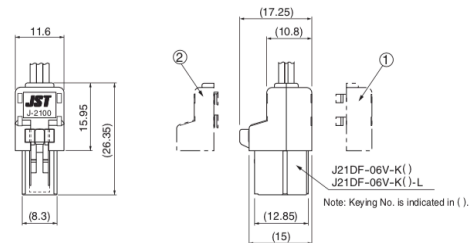


Note: Protector is not UL/CSA/TÜV approved

When applying a current to the connector, the protector prevents foreign substances being inserted into mating part from the wiring side. However it has no function of holding the wire securely.

J2000 Series

•J2100 series for 6 circuits

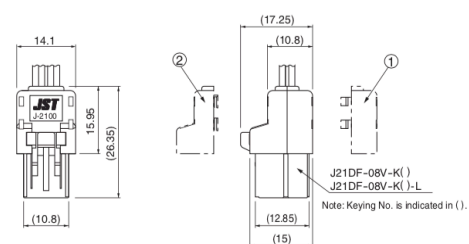


No.	Model No.	Color
①	J21PF-06SCA	Transparent
②	J21PF-06SCB	Transparent

Material
Polycarbonate

RoHS compliance

•J2100 series for 8 circuits



No.	Model No.	Color
①	J21PF-08SCA	Transparent
②	J21PF-08SCB	Transparent

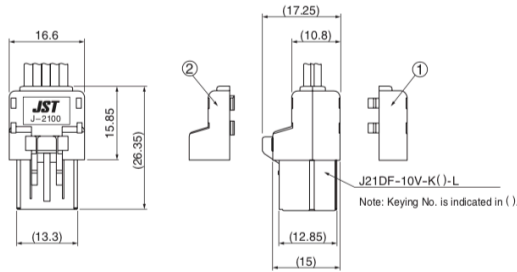
Material
Polycarbonate

RoHS compliance

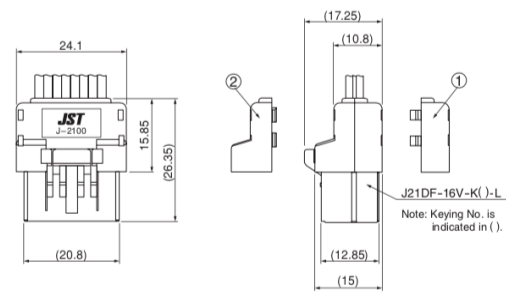
JFA Connector / Protector

J2000 Series

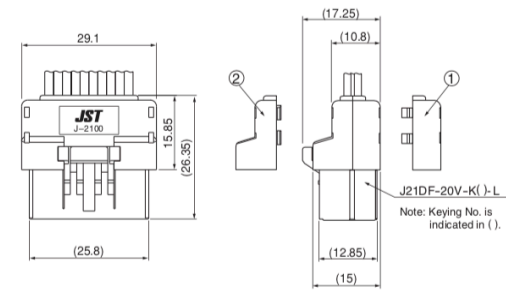
•J2100 series for 10 circuits



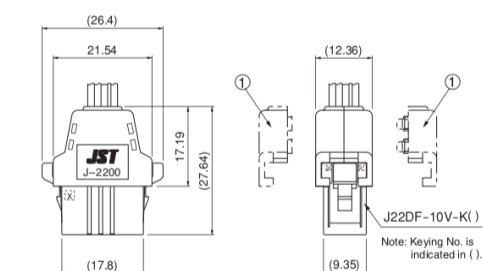
•J2100 series for 16 circuits



•J2100 series for 20 circuits



•J2200 series for 10 circuits



No.	Model No.	Color
①	J21PF-10SCA	Transparent
②	J21PF-10SCB	Transparent

Material		
Polycarbonate		

RoHS compliance

No.	Model No.	Color
①	J21PF-16SCA	Transparent
②	J21PF-16SCB	Transparent

Material		
Polycarbonate		

RoHS compliance

No.	Model No.	Color
①	J21PF-20SCA	Transparent
②	J21PF-20SCB	Transparent

Material		
Polycarbonate		

RoHS compliance

No.	Model No.	Color
①	J22PF-10VK	Black

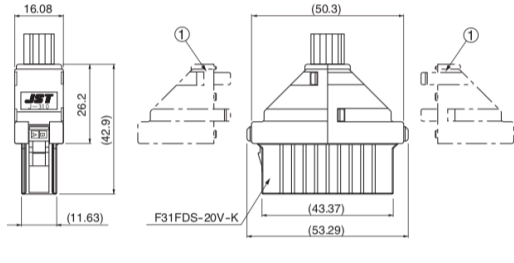
Material		
Glass-filled PBT		

RoHS compliance
Note: Two protectors are used.

JFA Connector / Protector

J300 Series

•J310D series for 20 circuits



No.	Model No.	Color
①	F31PFD-20VK	Black
①	F31PFD-20SC	Transparent

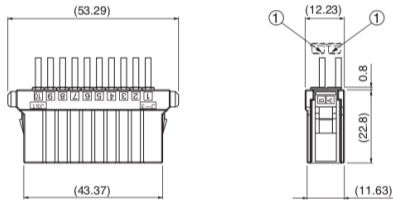
Material

Black: Glass-filled PBT
Transparent: Polycarbonate

RoHS compliance

Note: Two protectors of the same color are used.

•J310D series / Embedding-type protector for 8, 10 circuits



No.	Model No.	Color
①	F31PFS-10KU	Black

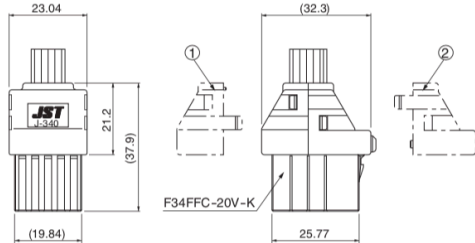
Material

Glass-filled PBT

RoHS compliance

Note: This protector is cut and used for each number of circuits.

•J340F series for 20 circuits



No.	Model No.	Color
①	F34PFF-20VKA	Black
	F34PFF-20SCA	Transparent
②	F34PFF-20VKB	Black
	F34PFF-20SCB	Transparent

Material

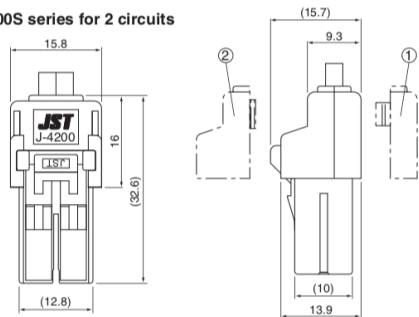
Black: Glass-filled PBT
Transparent: Polycarbonate

RoHS compliance

Note: Both 1 and 2 protectors in the same color are used.

J4000 Series

•J4200S series for 2 circuits



No.	Model No.	Color
①	J42PF-02SCA	Transparent
②	J42PF-02SCB	Transparent

Material

Polycarbonate

RoHS compliance

(Patent pending)

When applying a current to the connector, the protector prevents foreign substances being inserted into mating part from the wiring side. However it has no function of holding the wire securely.