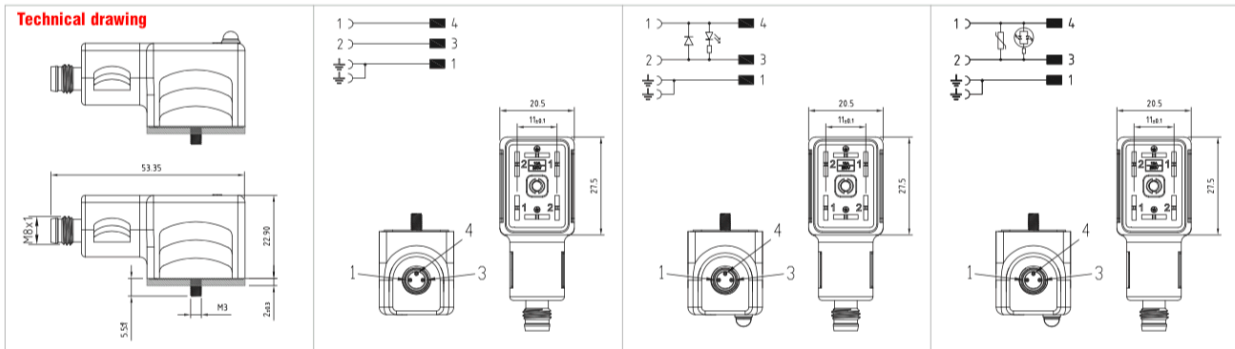


Valve Connectors

Adapters DIN Valve connectors - Form B - Industrial + M12/M8 connectors



Product description			
Connector type	Adapter DIN valve connector-M8 connector	Adapter DIN valve connector-M8 connector	Adapter DIN valve connector-M8 connector
Conforms to	Industrial	Industrial	EN175301-803
Construction type	B	B	B
Description	Adapter rectangular industrial connector (form B) - M8 circular connector.	Adapter rectangular industrial connector (form B) - M8 circular connector.	Adapter rectangular industrial connector (form B) - M8 circular connector.
Contacts spacing	11mm	11mm	11mm
Number of contacts	2poles + 2P.E.	2poles + 2P.E.	2poles + 2P.E.
Earth positioning	H.6-12	H.6-12	H.6-12
Housing colour	Black	Black	Black
Housing height	22.9mm	22.9mm	22.9mm
Gasket type	Integrated NBR gasket	Integrated NBR gasket	Integrated NBR gasket
Circular connector type	M8	M8	M8
Technical data			
Rated voltage	60V AC/DC	24V DC	24V AC/DC
Circuit type	-	Led + Diode(1A)	Bipolar Led + Varistor
Led colour	-	Red	Red
Central fixing screw	M3 L=25mm	M3 L=25mm	M3 L=25mm
Central fixing screw material	Iron+Zinc plated	Iron+Zinc plated	Iron+Zinc plated
Central screw torque	0.5 N*m	0.5 N*m	0.5 N*m
M8 Connector type	Straight 180°	Straight 180°	Straight 180°
M8 contacts type	Male 3poles	Male 3poles	Male 3poles
Number of contacts connected	n°3	n°3	n°3
Packaging			
Qty/Bag	1pc / bag	1pc / bag	1pc / bag
Other accessories options			
See accessories section			
Notes:			
	Connector available with different circuits	Connector available with different led colour	Connector available with different led colour