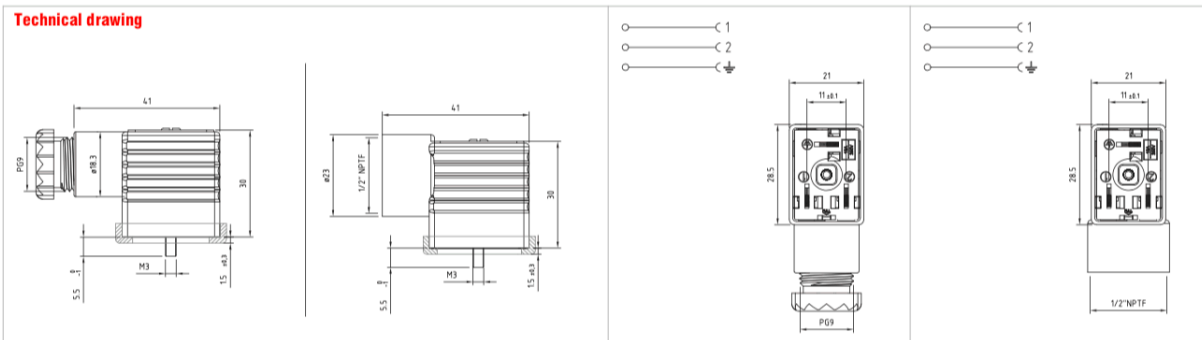


# Valve Connectors

## Field attachable connectors - Form B - Industrial



### Technical drawing



<b>Product description</b>		
Connector type	DIN valve connectors	DIN valve connectors
Conforms to	Industrial	Industrial
Construction type	B	B
Description	Rectangular connector M1 series complete with gasket and fixing screw. Connector without electronic.	Rectangular connector M1 series complete with gasket and fixing screw. Connector without electronic.
Contacts spacing	11mm	11mm
Number of contacts	2poles + P.E.	2poles + P.E.
Earth positioning	H.12 (turnable)	H.12 (turnable)
Housing colour	Black	Black
Housing height	30mm	30mm
Cable gland	PG9	1/2" NPTF
Gasket type	Profiled NBR gasket	Profiled NBR gasket
<b>Technical data</b>		
Type of termination	Screw contacts	Screw contacts
Contact screw torque	0.5 N*m	0.5 N*m
Rated voltage	250V AC/ 300VDC	250V AC/ 300VDC
Circuit type	-	-
Led colour	-	-
Suitable cable	ø cable 4-8mm	-
Central fixing screw	M3 L=32.5mm	M3 L=32.5mm
Central fixing screw material	Iron +Zinc plated	Iron +Zinc plated
Central screw torque	0.5 N*m	0.5 N*m
<b>Packaging</b>		
Qty/Box	50pcs / box	50pcs / box
<b>Other accessories options</b>		
See accessories section		